

# INSTRUCTION MANUAL

1:10 SCALE DUAL SPORT 2WD GEARBOX CLASS KIT FOR RADIO CONTROL

# RC10DS

1:10 SCALE COMPETITION DUAL SPORT KIT



#80825 RC10DS KIT

TEAM ASSOCIATED

ASSOCIATED ELECTRICS  
Since 1964

## :: Introduction

Thank you for purchasing this Team Associated product. This assembly manual contains instructions and tips for building and maintaining your new vehicle Kit. Please take a moment to read through this manual to help familiarize yourself with these steps.

We are continually changing and improving our designs; therefore, actual parts may appear slightly different than in the illustrations. New parts will be noted on supplementary sheets located in the appropriate parts bags. Check each bag for these sheets before you start to build.

## :: KIT Features

Features in the RC10DS Kit:

- Molded composite rear shock tower
- Stealth transmission with ATC slipper
- Molded super-stiffer composite suspension arm, front and rear
- Adjustable rear toe in
- Black anodized laser etched aluminum tub chassis
- Scale BBS style, chromed front and rear wheels
- Soft scale racing tires with foam inserts
- Adjustable rear anti-roll bar
- Adjustable front anti-roll bar
- Adjustable servo saver bellcrank steering
- Low kick-up angle for superior steering response
- High-impact front bumper
- Adjustable height body mounts

## :: Additional

Your new RC10DS comes as a kit. There are some items you will need to complete your kit (refer to website for suggestions):

- RC two channel surface frequency radio system
- Electronic Speed Control (ESC)
- Steering Servo
- 2S, 7.4V Lipo stick battery or 7.2V NiMH battery
- Battery charger compliant to battery type
- Polycarbonate specific paint
- Pinion gear, size to be determined by type and wind of motor you use
- RC Electric Motor
- Servo Horn (AE #89007)
- Thread Lock (AE #1596)

Tools included:

- Allen wrenches (.035", .050", 1/16", 3/32")
- Shock building tool

## :: Other Helpful Items

- Silicone Shock Fluid (Refer to website for complete listings)
- Tire Adhesive (AE #1697)
- Shock Pliers (AE #1681)
- Wire Cutters / Hobby Knife
- Body Scissors (AE #1737)
- Green Slime shock lube (AE #1105)
- Needle Nose Pliers
- FT 7-Piece 1/4 in Hex Driver Set (AE #1650)
- Reamer / Hole Punch (AE #1499)
- Calipers or a Precision Ruler
- Soldering Iron

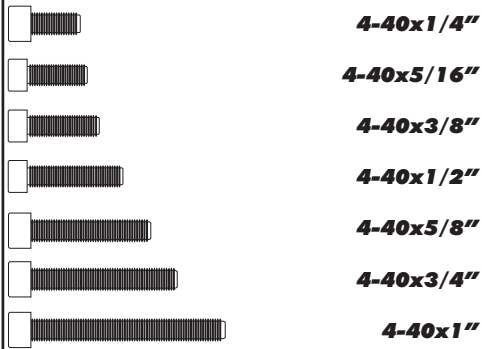
**Associated Electrics, Inc.**  
21062 Bake Parkway  
Lake Forest, CA 92630



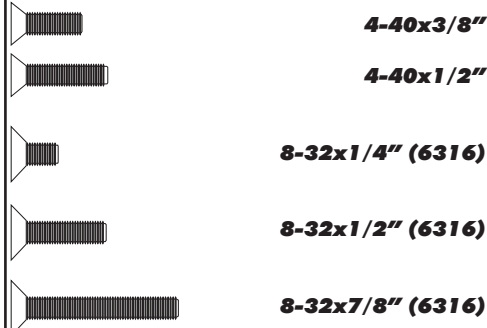
**Customer Service**  
Tel: 949.544.7500  
Fax: 949.544.7501

**:: Hardware - 1:1 Scale View**

**Cap Head (shcs)**



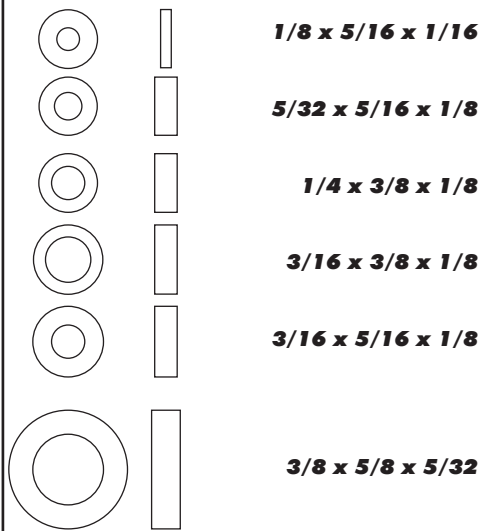
**Flat Head (fhcs)**



**Button Head (bhcs)**



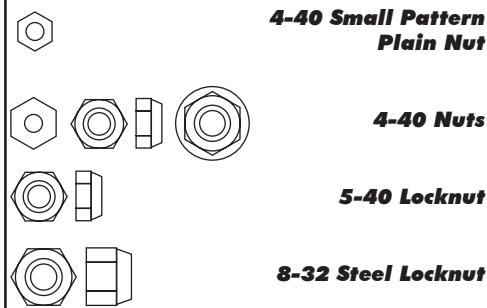
**Bushings**



**Set Screws**



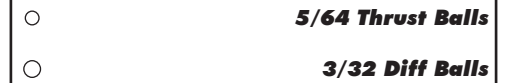
**Nuts (lock/plain)**



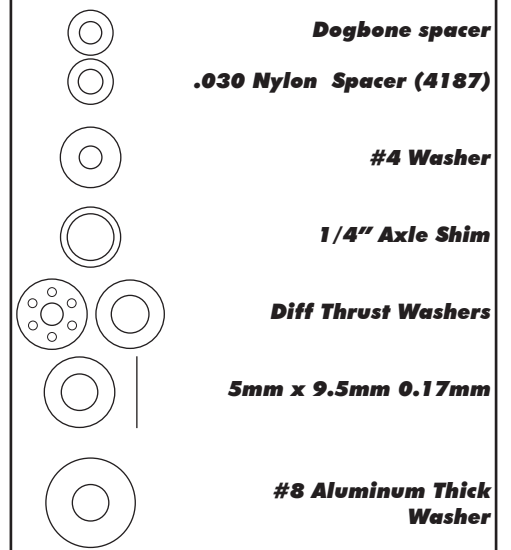
**Clips**



**Diff Balls**



**Shims and Washers**



**Notes:**

Blank area for notes.

**:: Table of Contents**

1.....	Cover	6.....	Ball Ends / Turnbuckles Build (Bag F)
2.....	Introduction	15.....	Transmission Build (Bag G)
3.....	1:1 Hardware "Fold Out"	17.....	Tire Build (Bag H)
4.....	Table of Contents	19.....	Body Install
5.....	Nose Plate / Steering Build (Bag A)	20.....	Notes
8.....	Front Anti-Roll Bar Front Bumper Build (Bag B)	22.....	Back Cover
9.....	Servo / Battery Tray Build (Bag C)		
10.....	Rear End Build (Bag D)		
12.....	Shock Build (Bag E)		

**:: Notes**

This symbol indicates a special note or instruction in the manual.



**There is a 1:1 hardware foldout page in the front of the manual. To check the size of a part, line up your hardware with the correct drawing until you find the exact size.**

**Associated Electrics, Inc.**  
21062 Bake Parkway  
Lake Forest, CA 92630



**Customer Service**  
Tel: 949.544.7500  
Fax: 949.544.7501



**:: Nose Plate / Steering Build - Bag A - Step 1**

**LEFT**

**Not included!**  
#1596 Thread Lock

**Dust cover**

**4-40 nut**

**6273 Ballstud .30 (silver)**

**6213 RC10 front caster blocks, 15 degrees (Left & Right)**

**7810 Inline steering blocks, (Left & Right)**

**Not included!**  
#1596 Thread Lock

**Dust cover**

**6271 Ballstud .20 (silver)**

**4-40 nut**

**Inline steering axle**

**Build left and right sides!**

**:: Nose Plate / Steering Build - Bag A - Step 2**

**LEFT**

**6299 E-clip (small)**

**7813 RC10T king pin (.125 x .951)**

**4-40 set screw**

**Build left and right sides!**

**:: Nose Plate / Steering Build - Bag A - Step 3**

**LEFT**

**8823 Shock Mount**

**8823 RC10DS Front Arm**

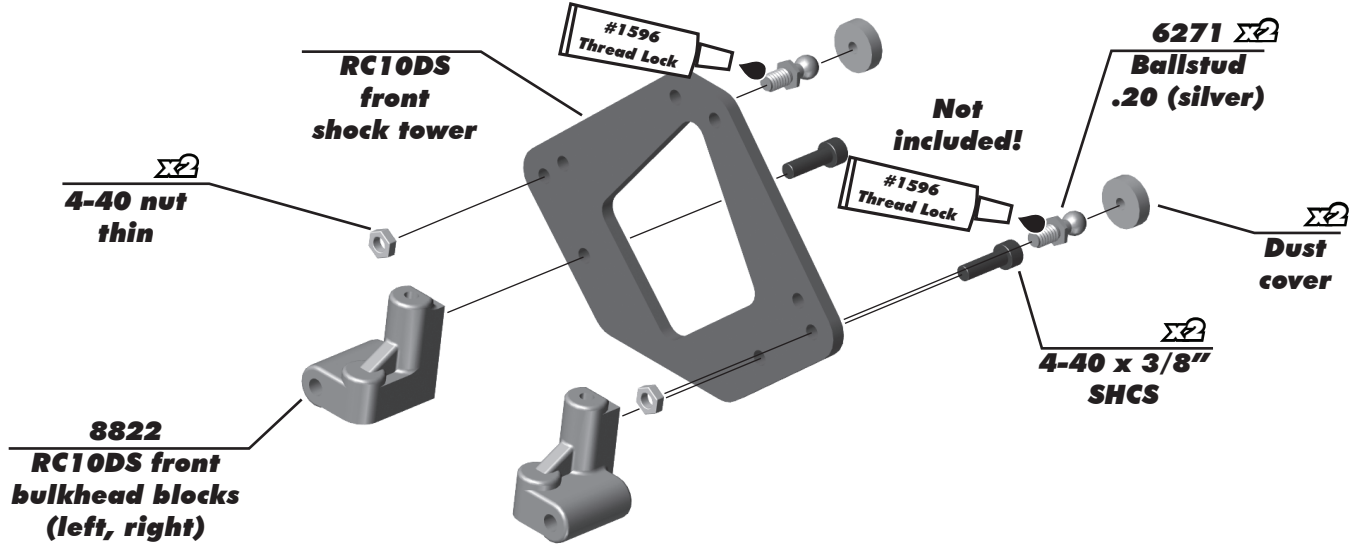
**6271 Ballstud .20 (silver)**

**6299 E-clip (small)**

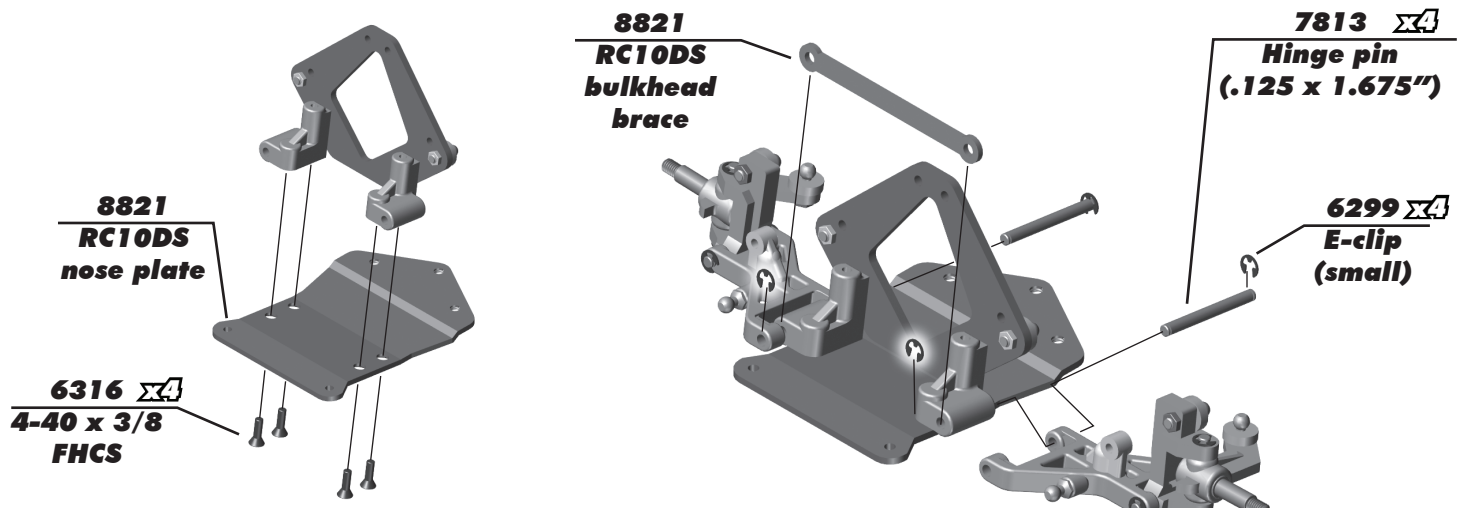
**7813 RC10T king pin (.125 x 1.11)**

**Build left and right sides!**

**:: Nose Plate / Steering Build - Bag A - Step 4**

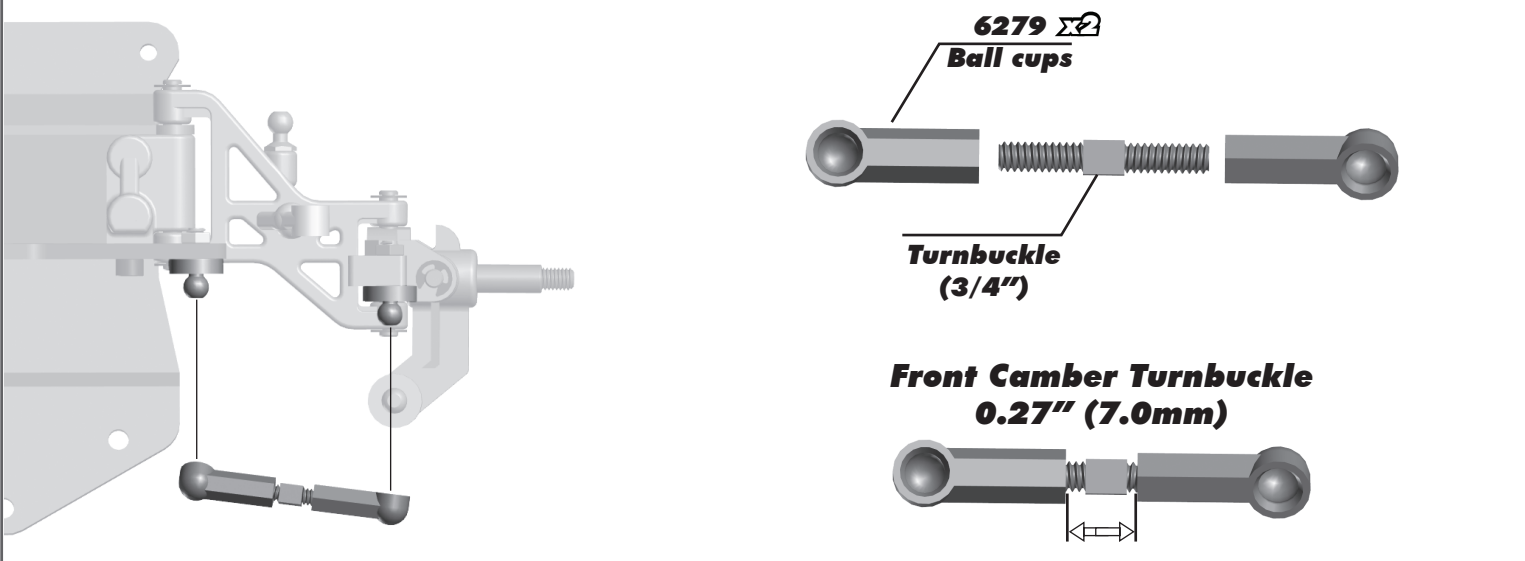


**:: Nose Plate / Steering Build - Bag A - Step 5**

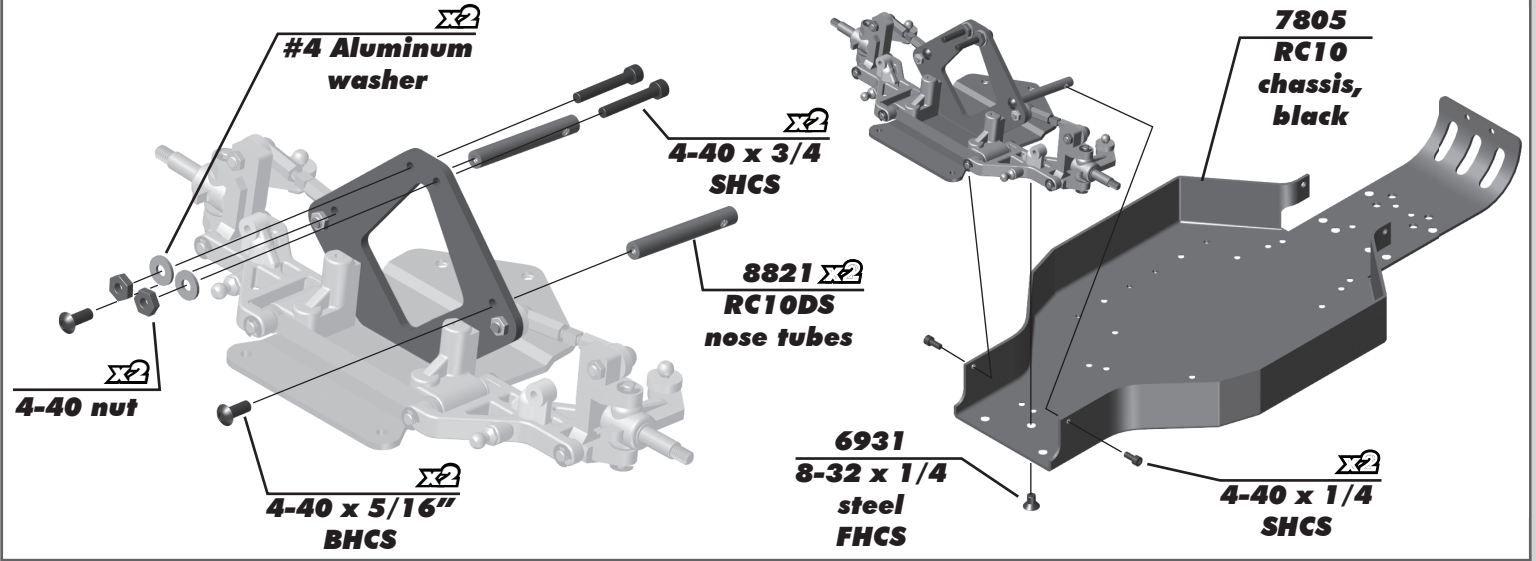


**Build left and right sides!**

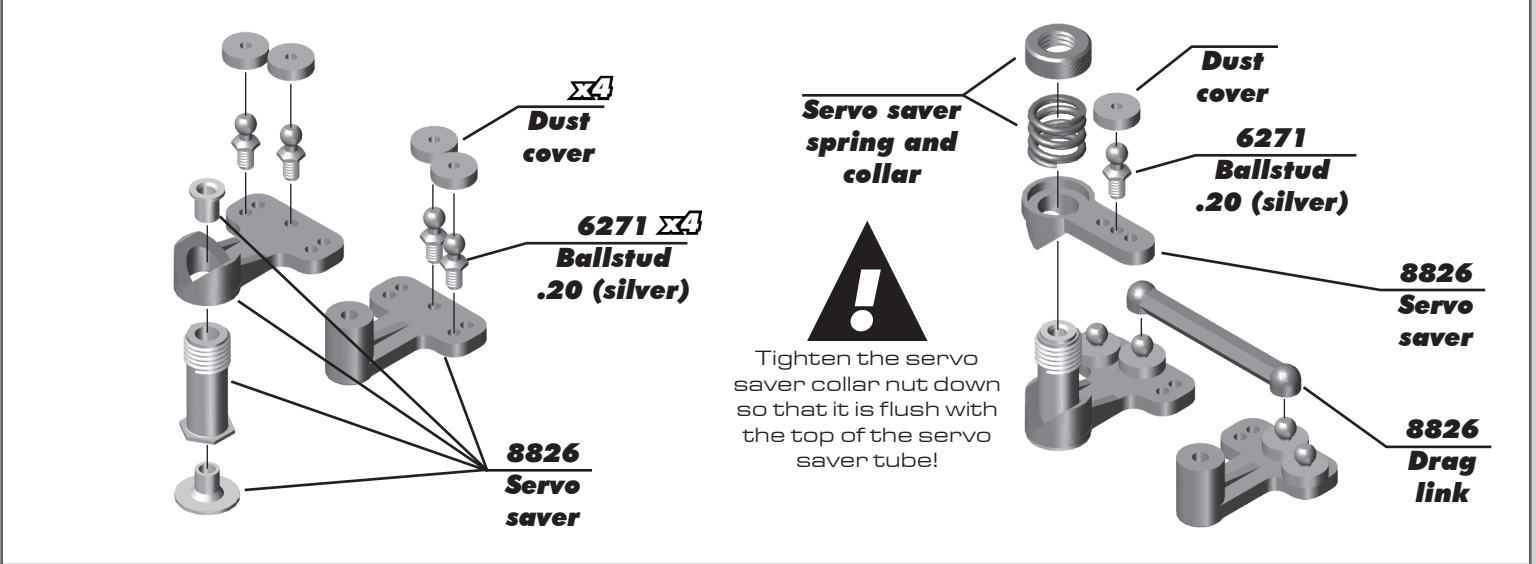
**:: Nose Plate / Steering Build - Bag A / F - Step 6**



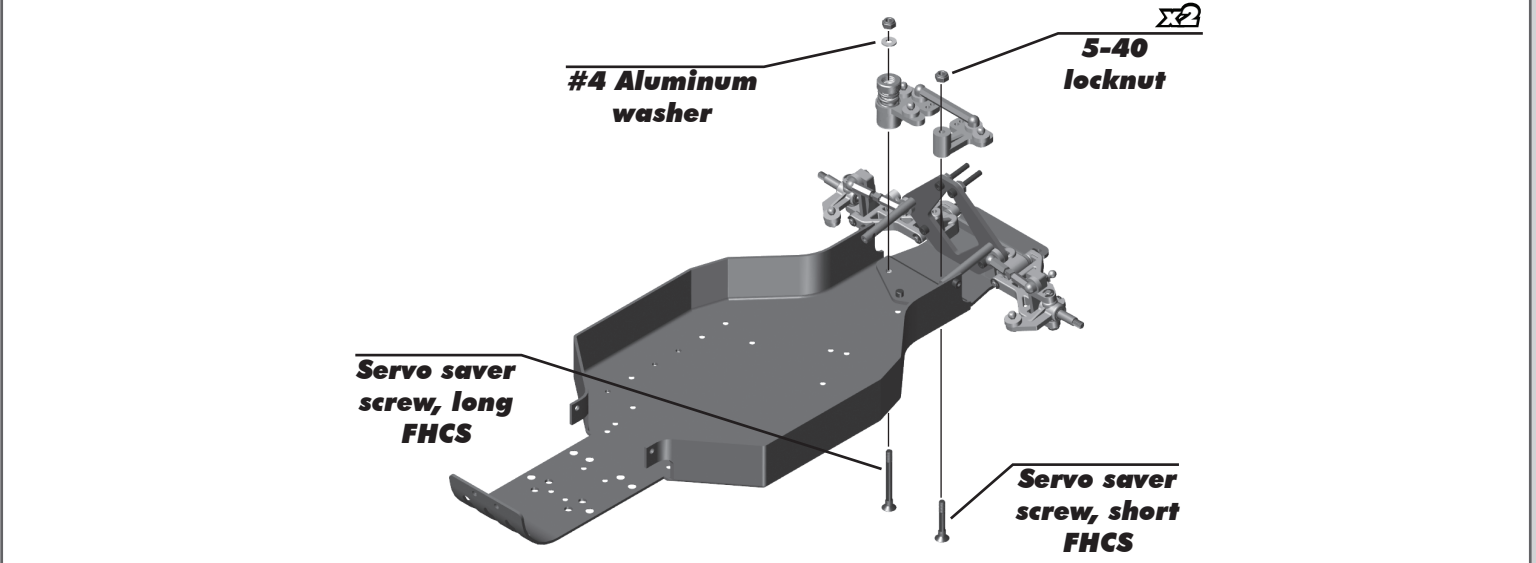
**:: Nose Plate / Steering Build - Bag A - Step 7**



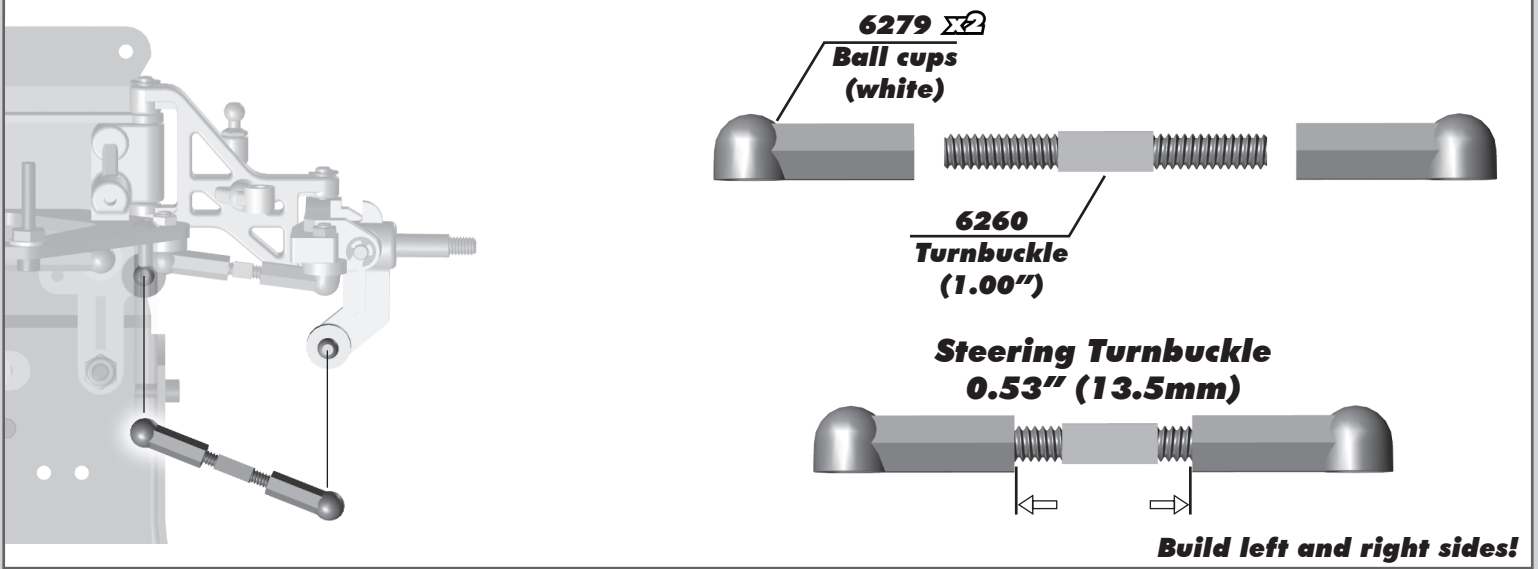
**:: Nose Plate / Steering Build - Bag A - Step 8**



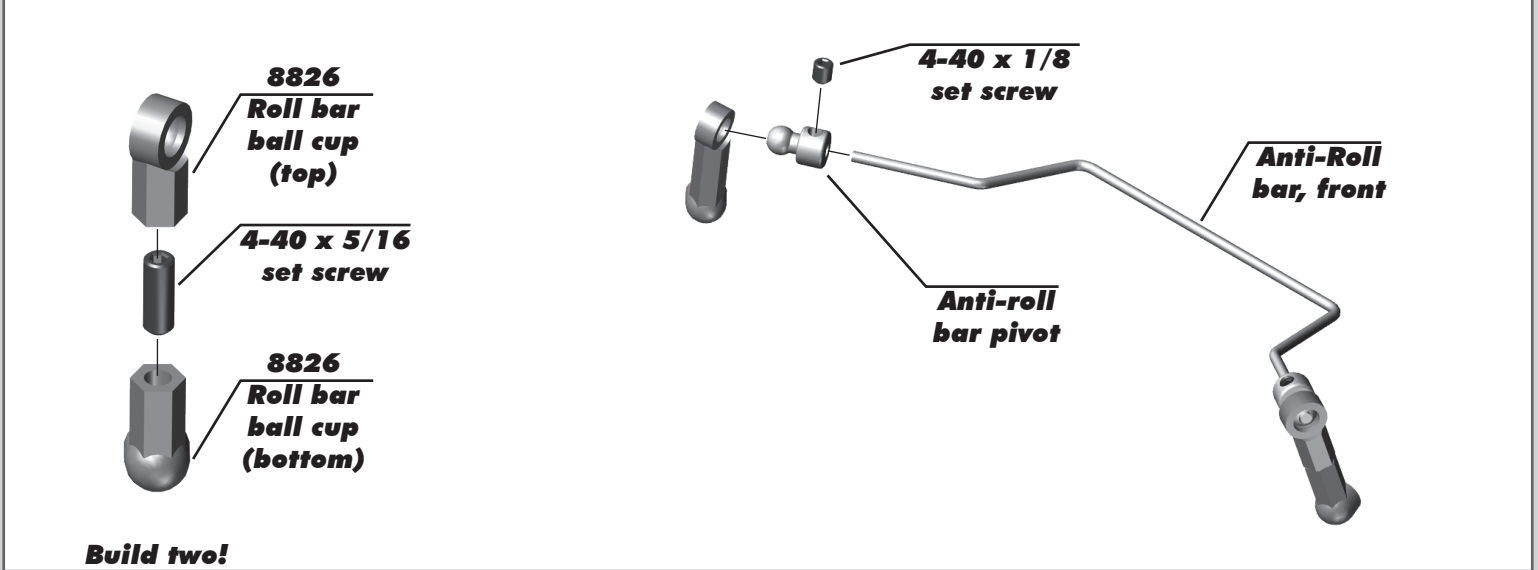
**:: Nose Plate / Steering Build - Bag A - Step 9**



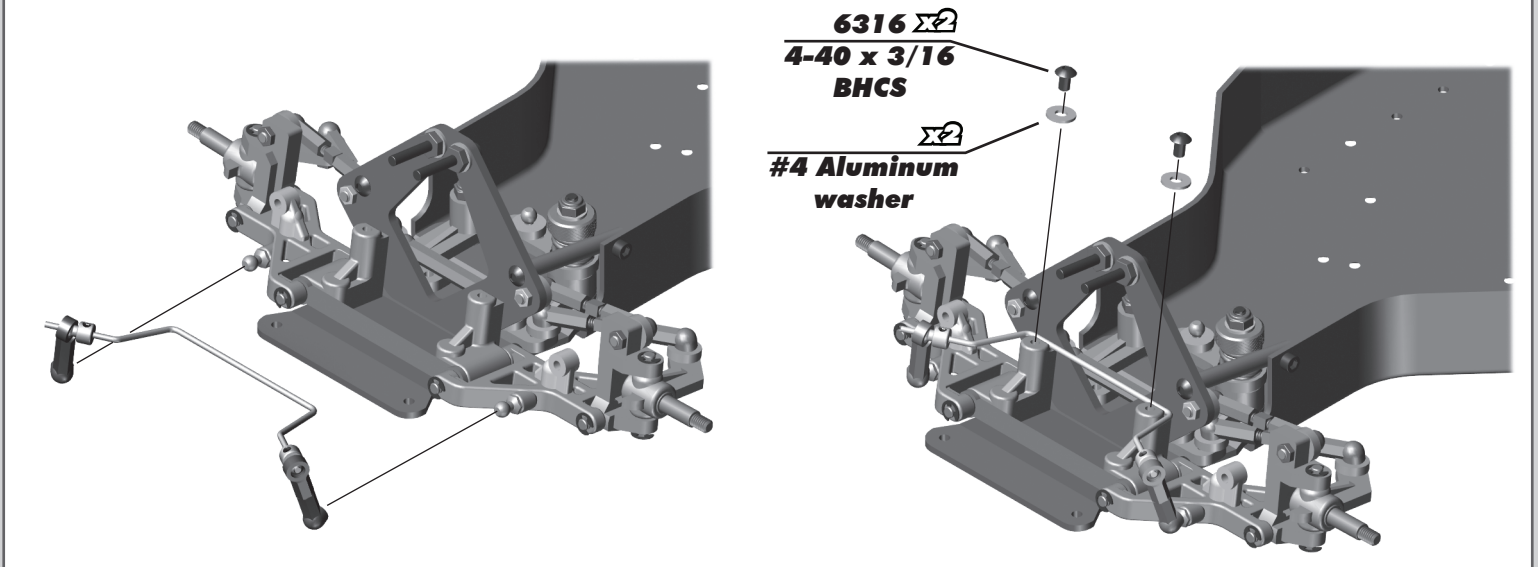
**:: Nose Plate / Steering Build - Bag A / F - Step 10**



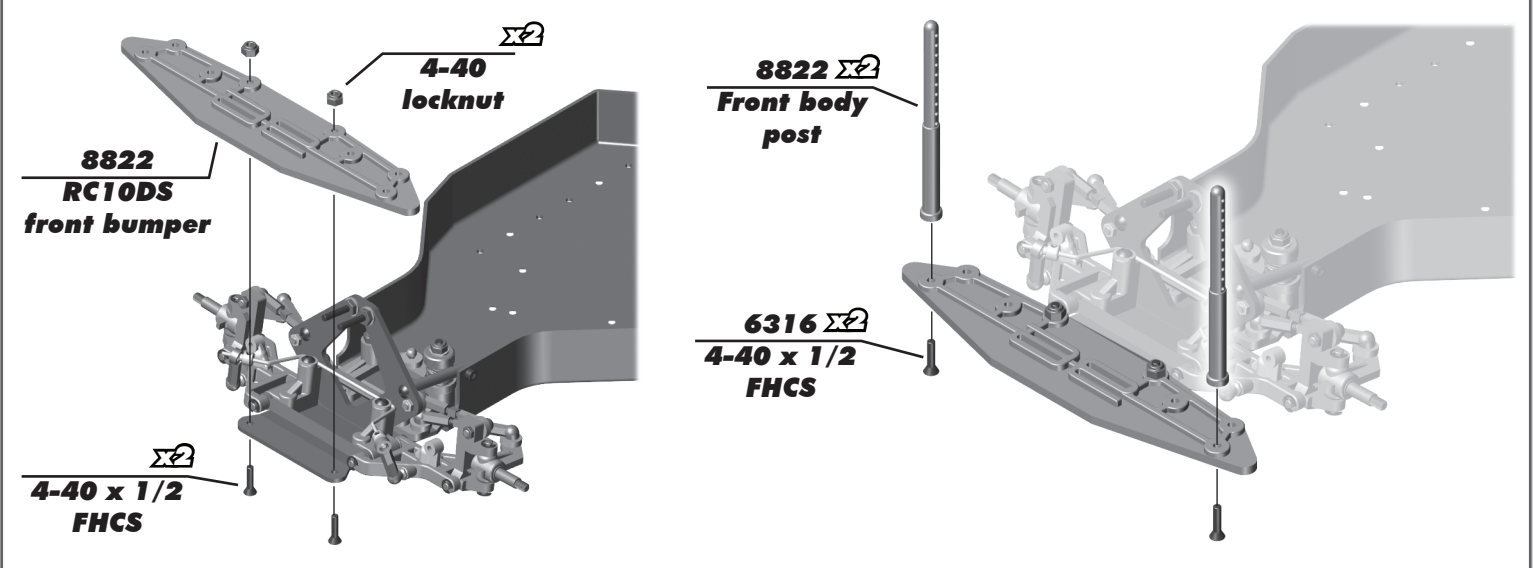
**:: Front Anti-Roll Bar / Bumper Build - Bag B - Step 1**



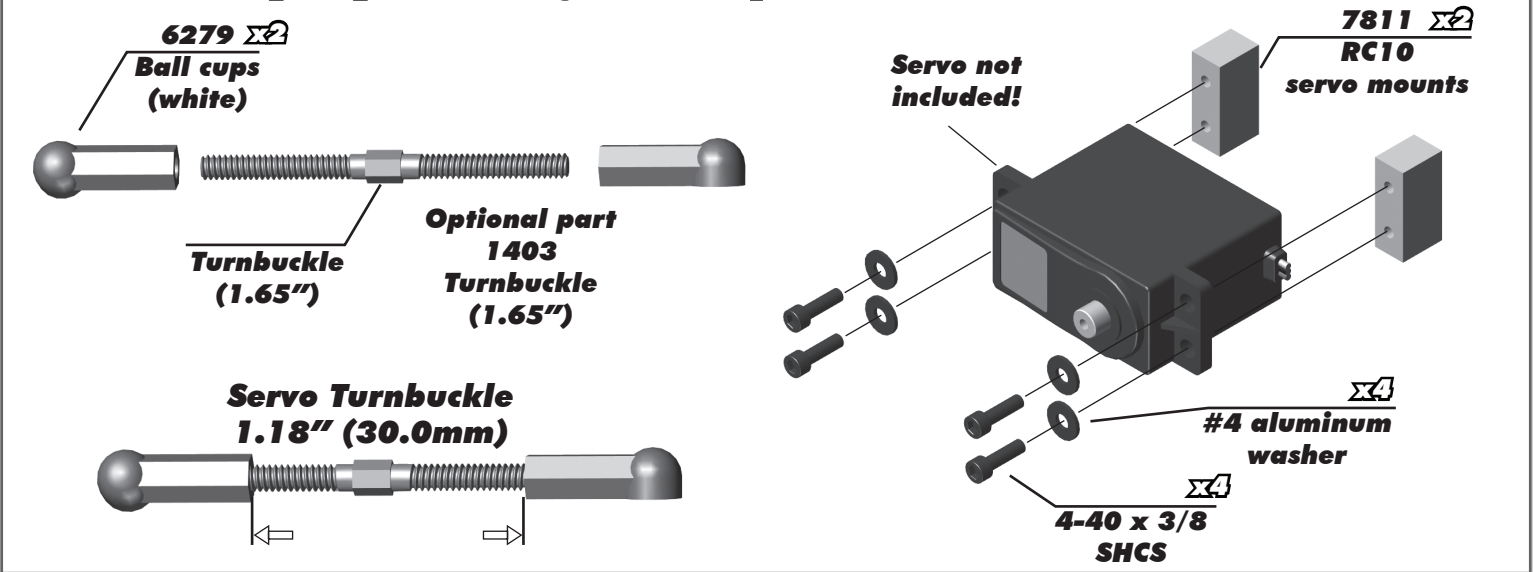
**:: Front Anti-Roll Bar / Bumper Build - Bag B - Step 2**



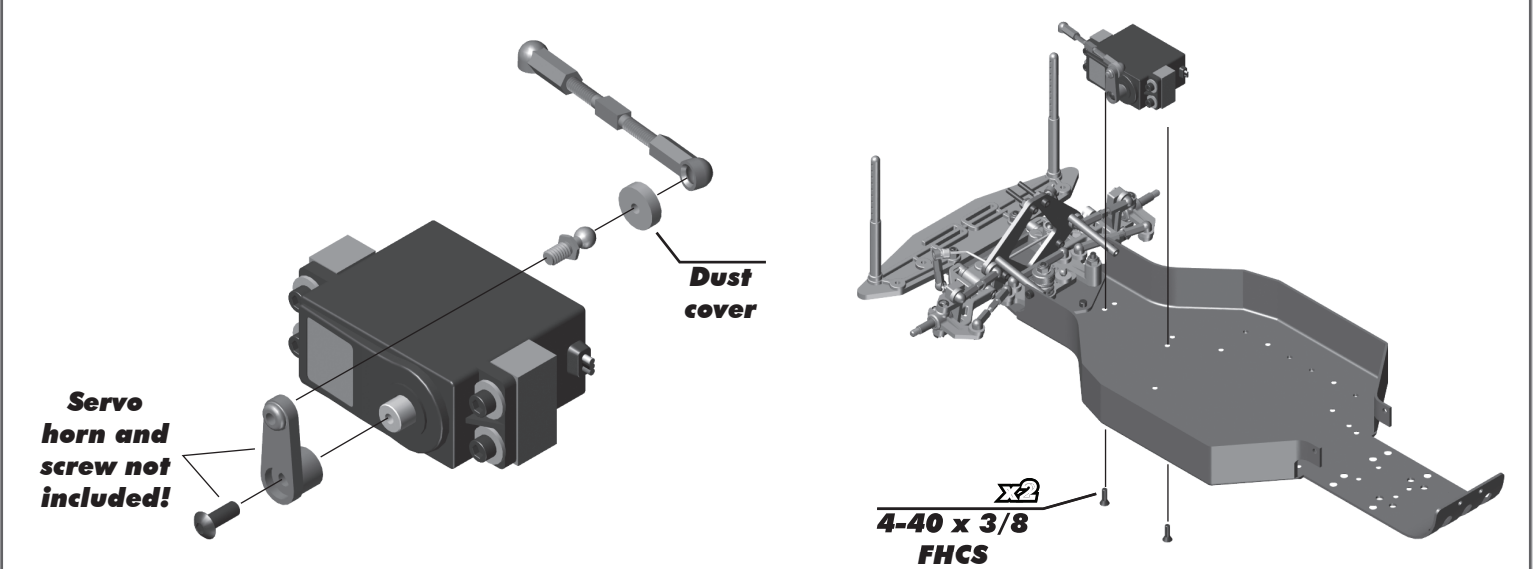
**:: Front Anti-Roll Bar / Bumper Build - Bag B - Step 3**



**:: Servo / Battery Tray Build - Bag C / F - Step 1**

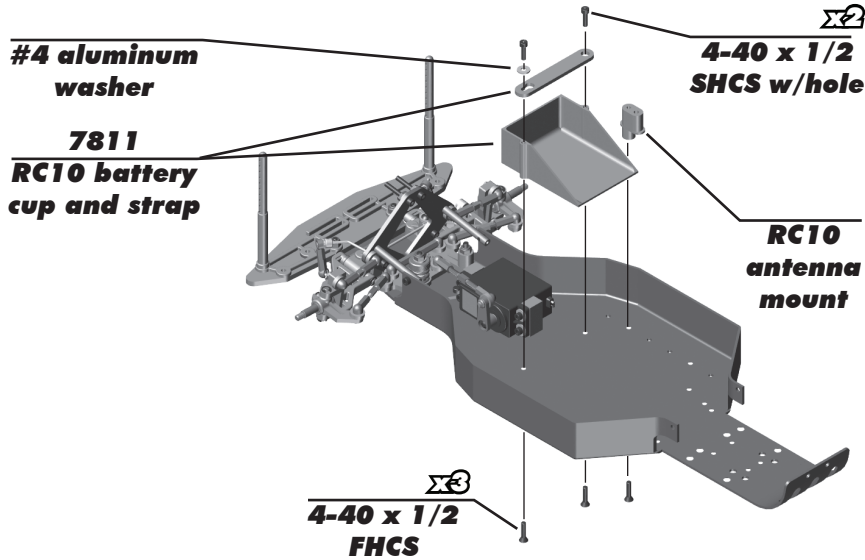


**:: Servo / Battery Tray Build - Bag C / F - Step 2**

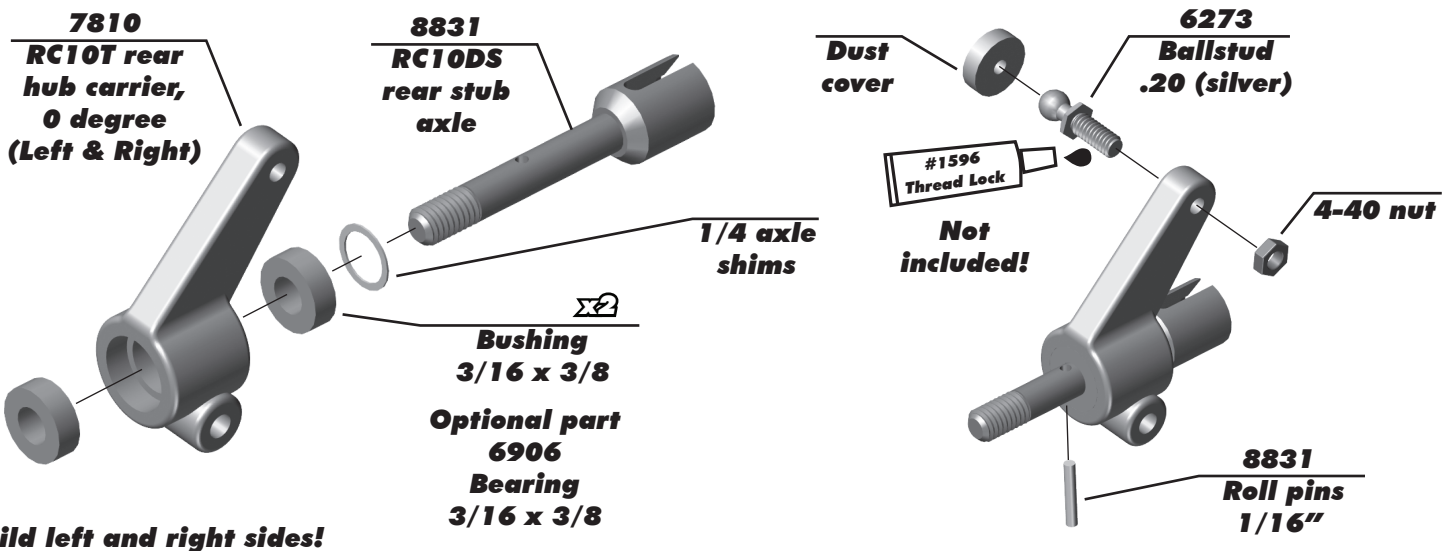




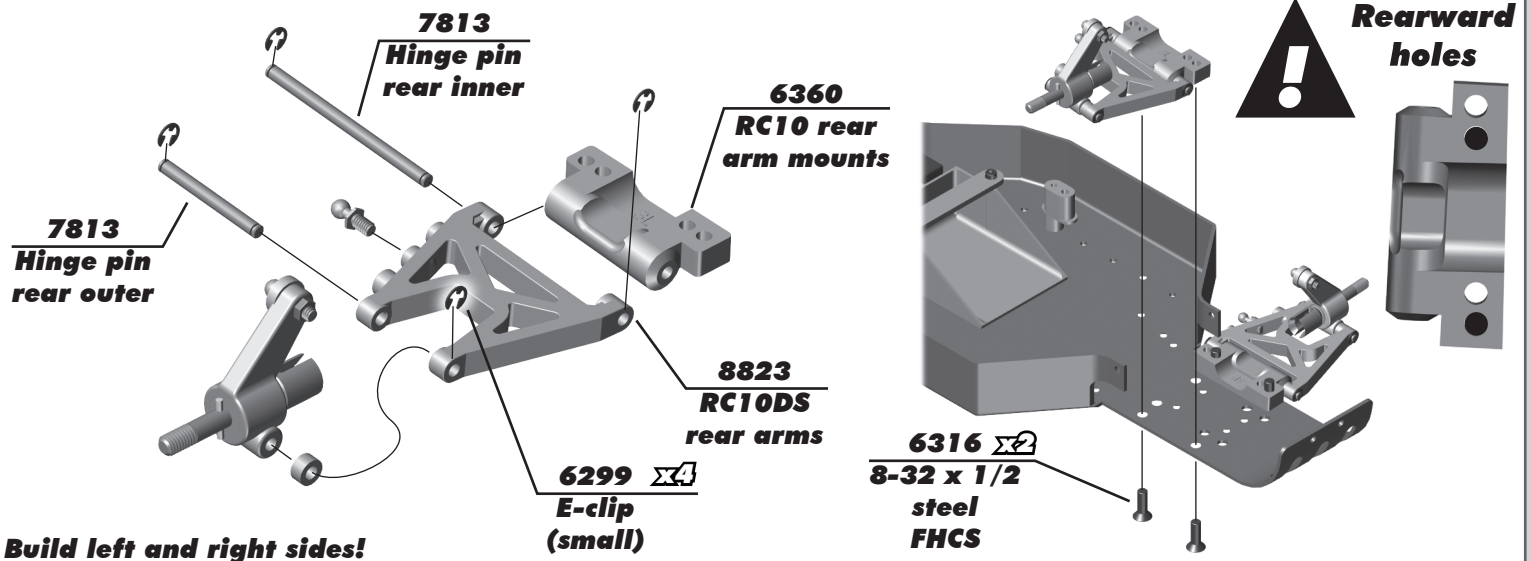
**:: Servo / Battery Tray Build - Bag C / F - Step 3**



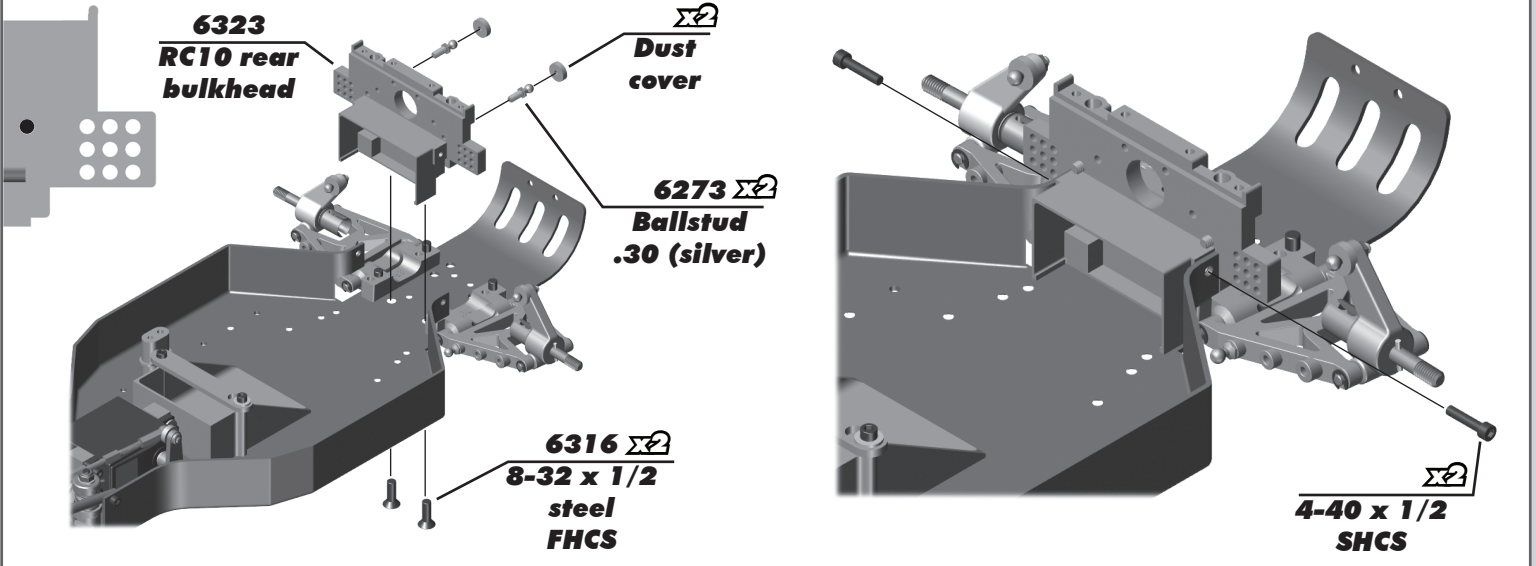
**:: Rear End Build - Bag D - Step 1**



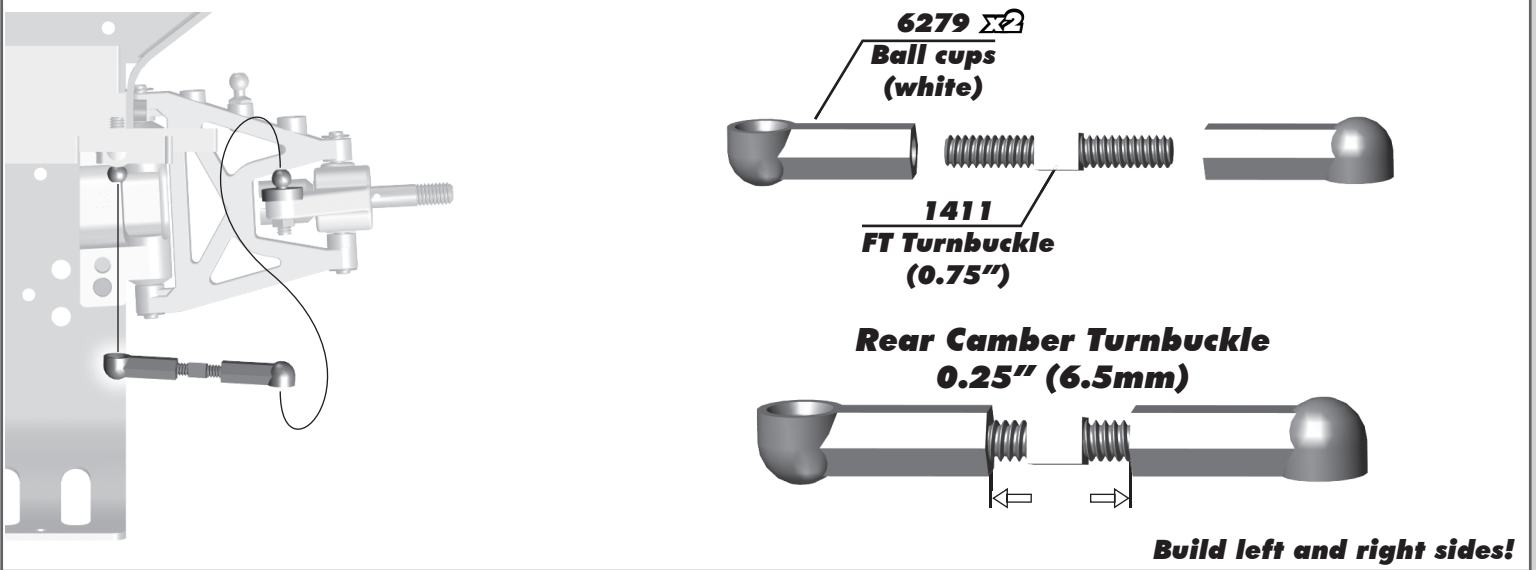
**:: Rear End Build - Bag D - Step 2**



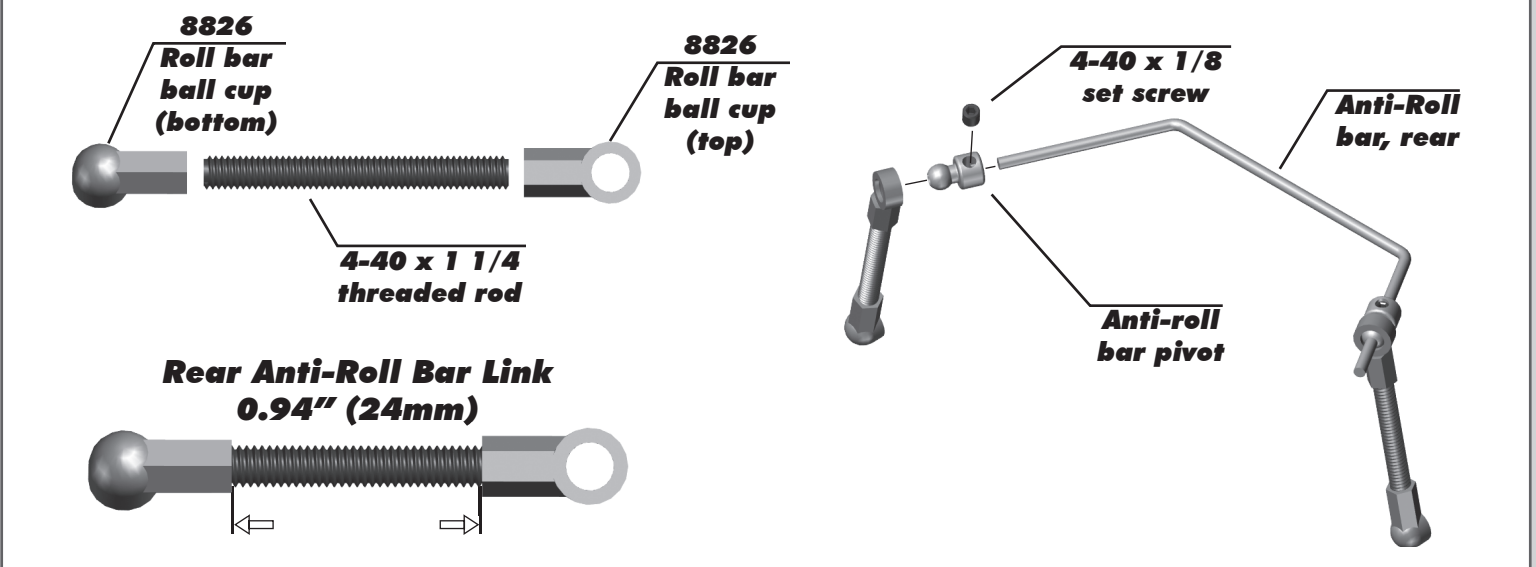
**:: Rear End Build - Bag D - Step 3**



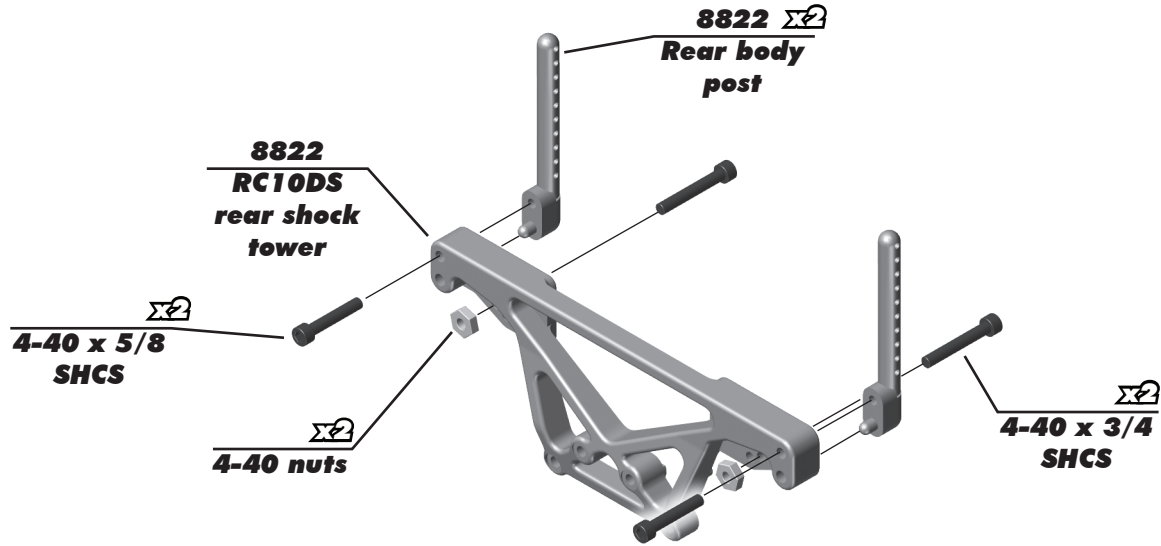
**:: Rear End Build - Bag D / F - Step 4**



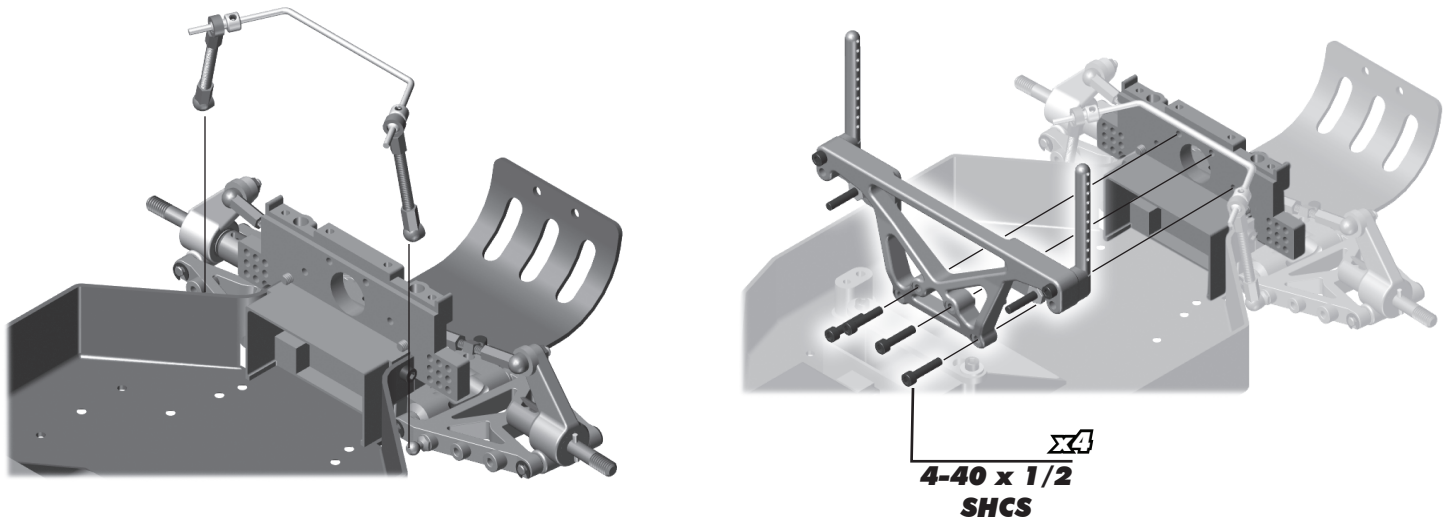
**:: Rear End Build - Bag D - Step 5**



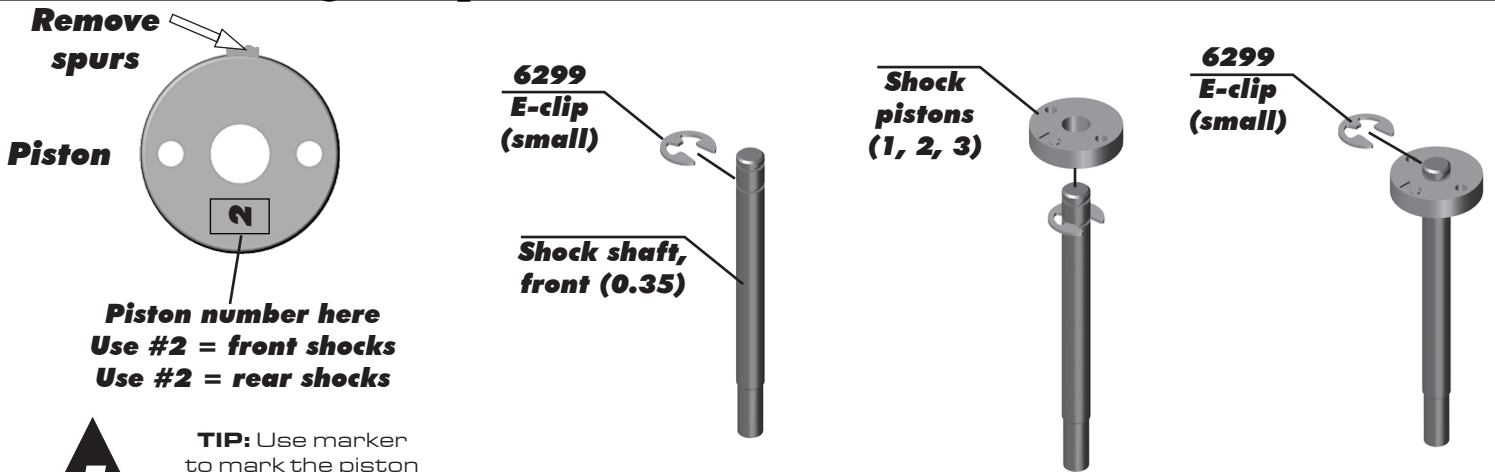
**:: Rear End Build - Bag D - Step 6**



**:: Rear End Build - Bag D - Step 7**



**:: Shocks Build - Bag E - Step 1**



**Piston number here**  
Use #2 = front shocks  
Use #2 = rear shocks



**TIP:** Use marker to mark the piston numbers for easy identification!

**Build two front and two rear!**

**:: Shocks Build - Bag E - Step 2**

**5407**  $\Sigma$   $\Sigma$   
**Red o-ring**

**6420 / 6421**  $\Sigma$   $\Sigma$   
**Off-road shock internals**

**Remove spurs**

**Shock assembly tool**

**Shock body, front (0.56) Gold**

**Shock fluid 30wt #5422**

**SNAP!**

**!**  
Place on table and push down hard until clamp snaps into place

**:: Shocks Build - Bag E - Step 3**

**6420 / 6421**  
**Shock cap o-ring**

**Shock pivot ball**

**Shock rod end**

**Build two front and two rear!**

**:: Shocks Build - Bag E - Step 4**

**Shock fluid 30wt #5422**

**Shock fluid 30wt #5422**

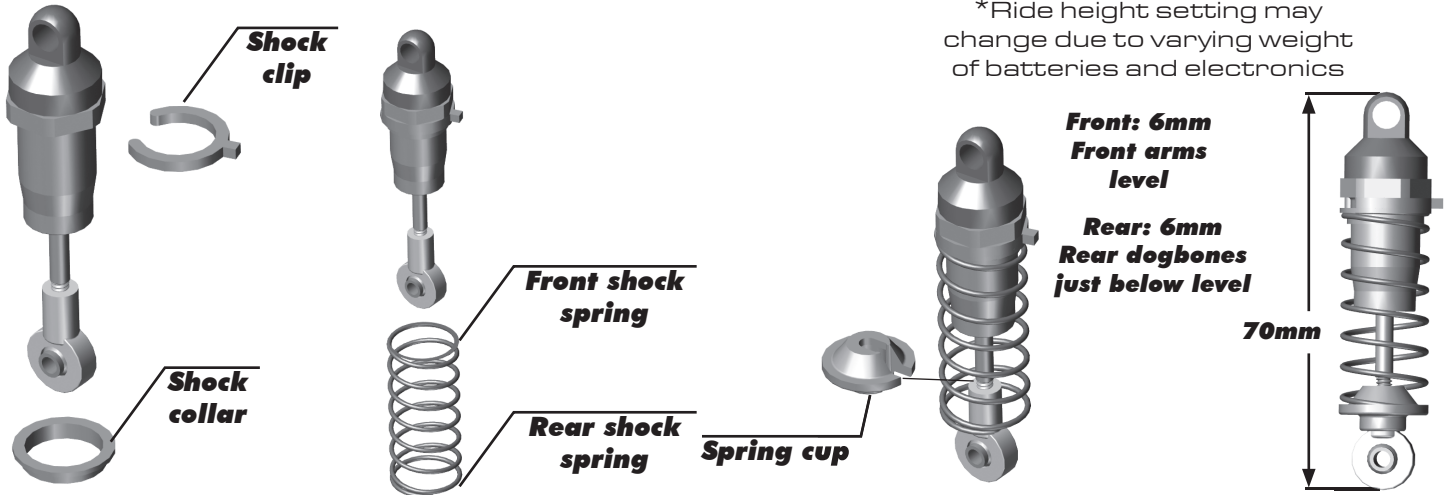
**6420 / 6421**  
**RC10 shock cap Gold**

**Step 1-3**      **Step 3-4**      **Step 5-6**      **Step 7**

**\* Shock Bleeding Steps:**

1. Pull shock shaft down.
2. Fill shock body 3/4 full with silicone fluid.
3. Slowly move the shock shaft up and down to remove air from under piston.
4. Wait for bubbles to come to surface.
5. Fill shock body to top with silicone fluid.
6. Place several drops of oil in the cap and on cap threads.
7. Install cap and tighten completely.
8. Slowly compress shaft all the way to the top. If there is pressure at the top of the stroke, there is too much oil. You must bleed it out.
9. Slowly pull shaft down.
10. Unscrew the cap 3/4 turn and tilt the shock at a slight angle.
11. Slowly compress the shaft to push out excess oil and air. You should see bubbles coming out from under the cap.
12. With the shaft compressed, tighten the cap and re-check for pressure at the top of the stroke. If there is still pressure, repeat steps 9 thru 11.

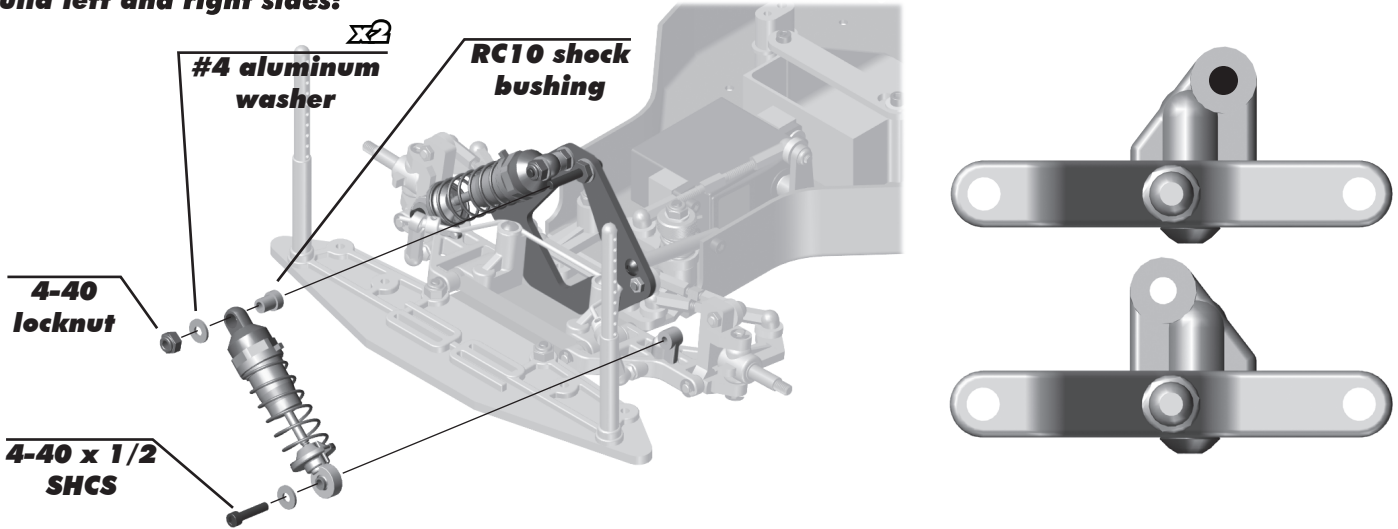
**:: Shocks Build - Bag E - Step 5**



**Build two front and two rear!**

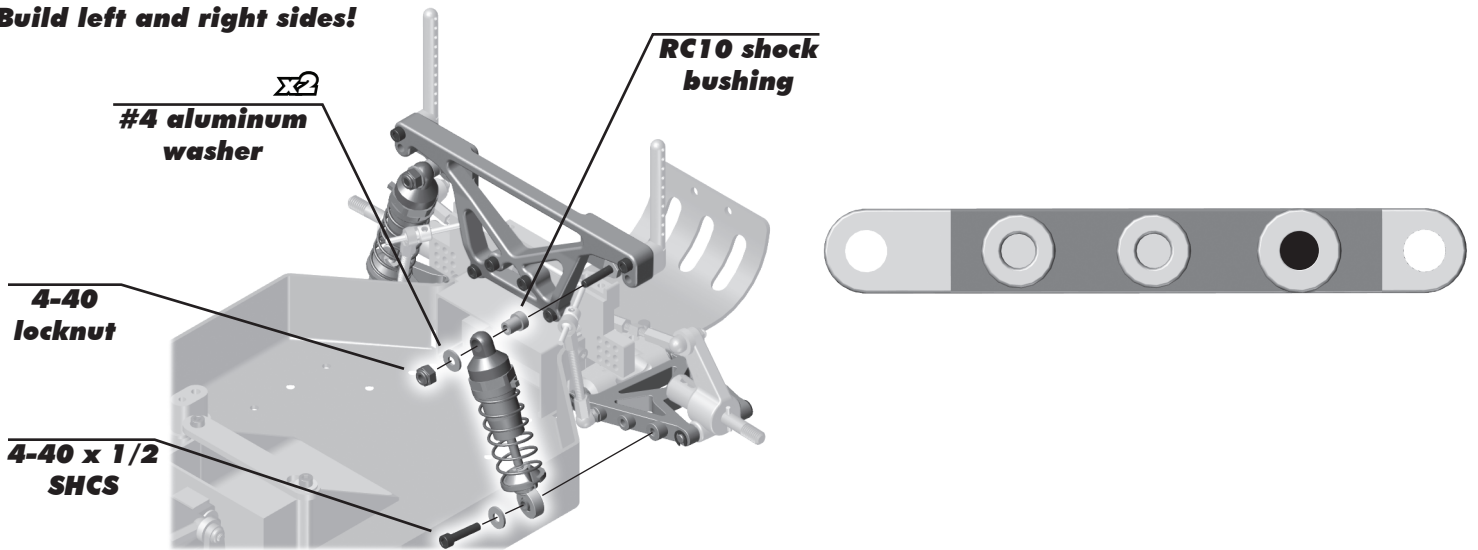
**:: Shocks Build - Bag E - Step 6**

**Build left and right sides!**



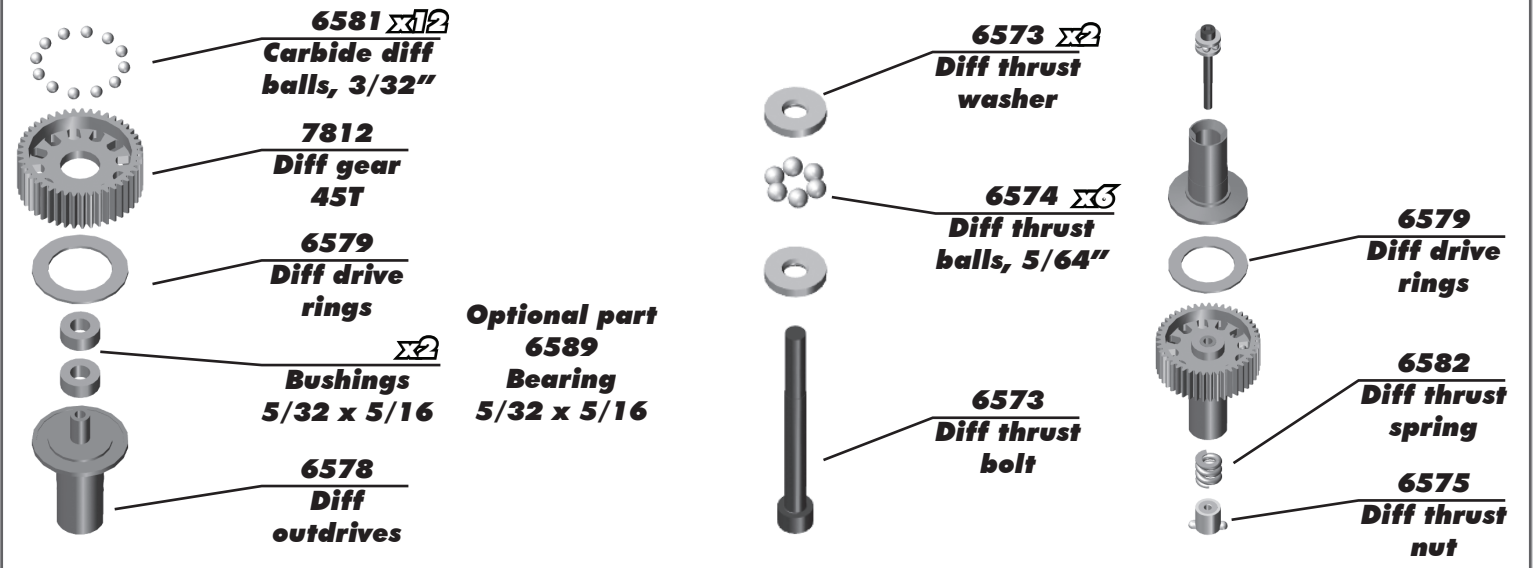
**:: Shocks Build - Bag E - Step 7**

**Build left and right sides!**

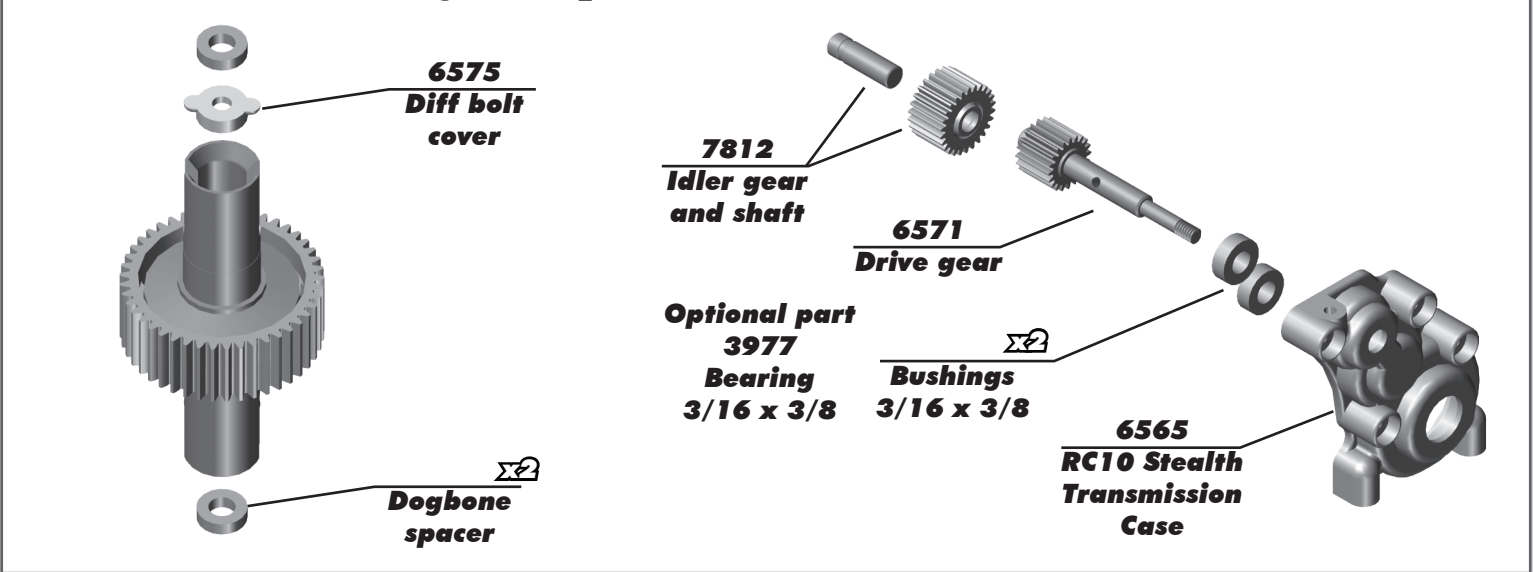




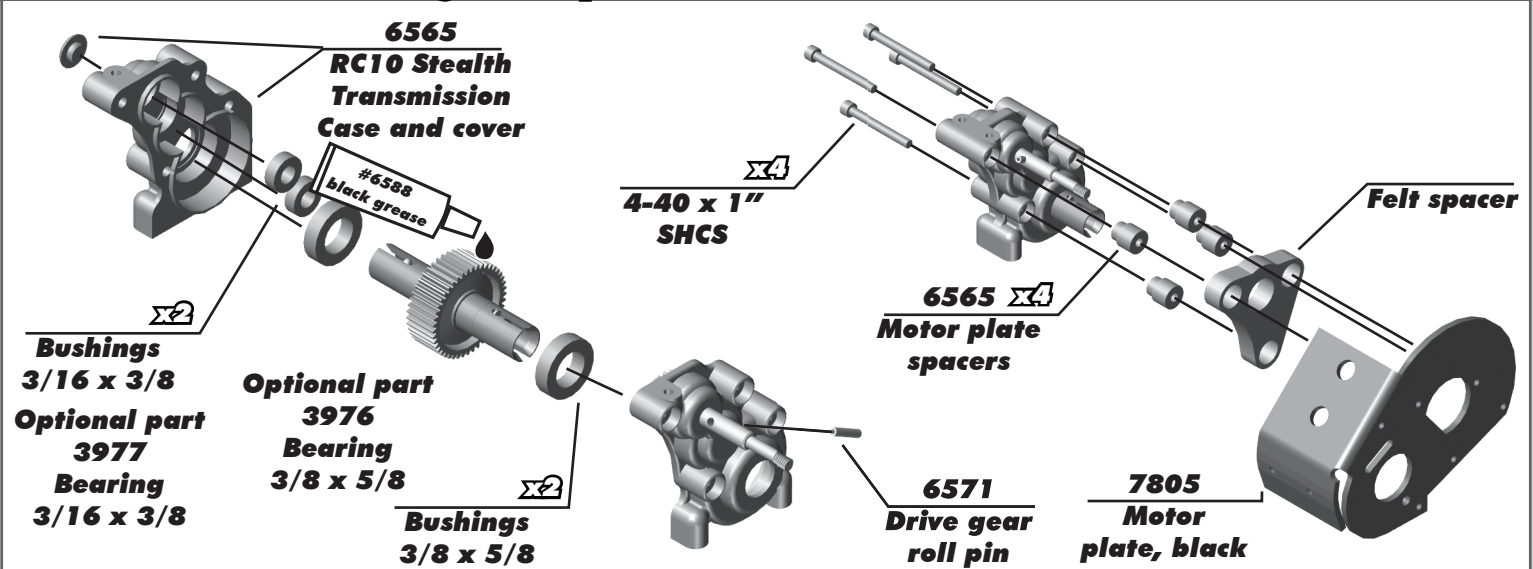
**:: Transmission Build - Bag G - Step 1**



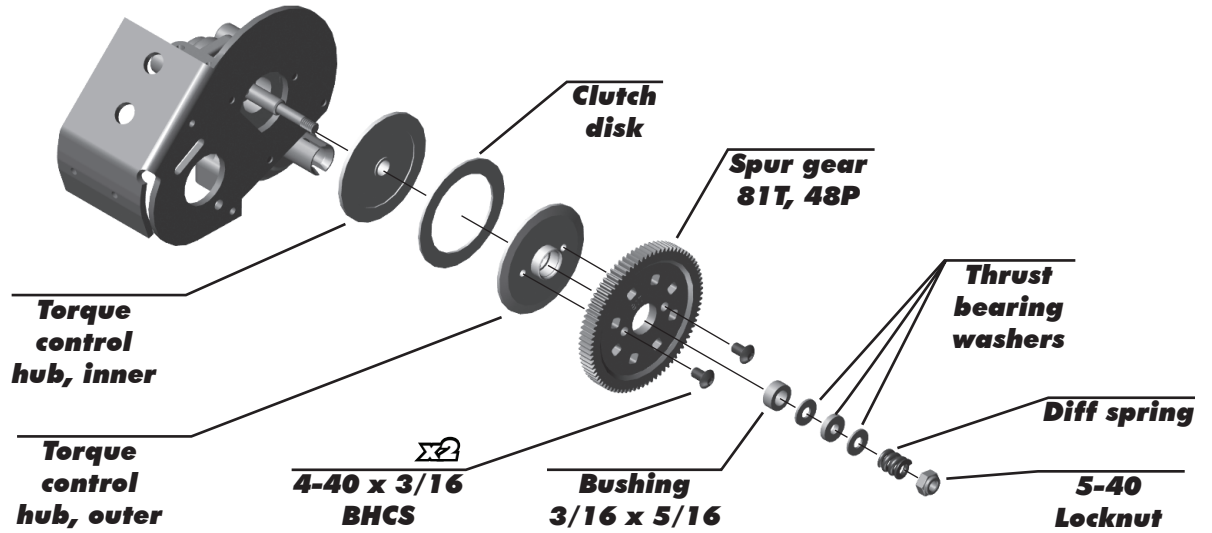
**:: Transmission Build - Bag G - Step 2**



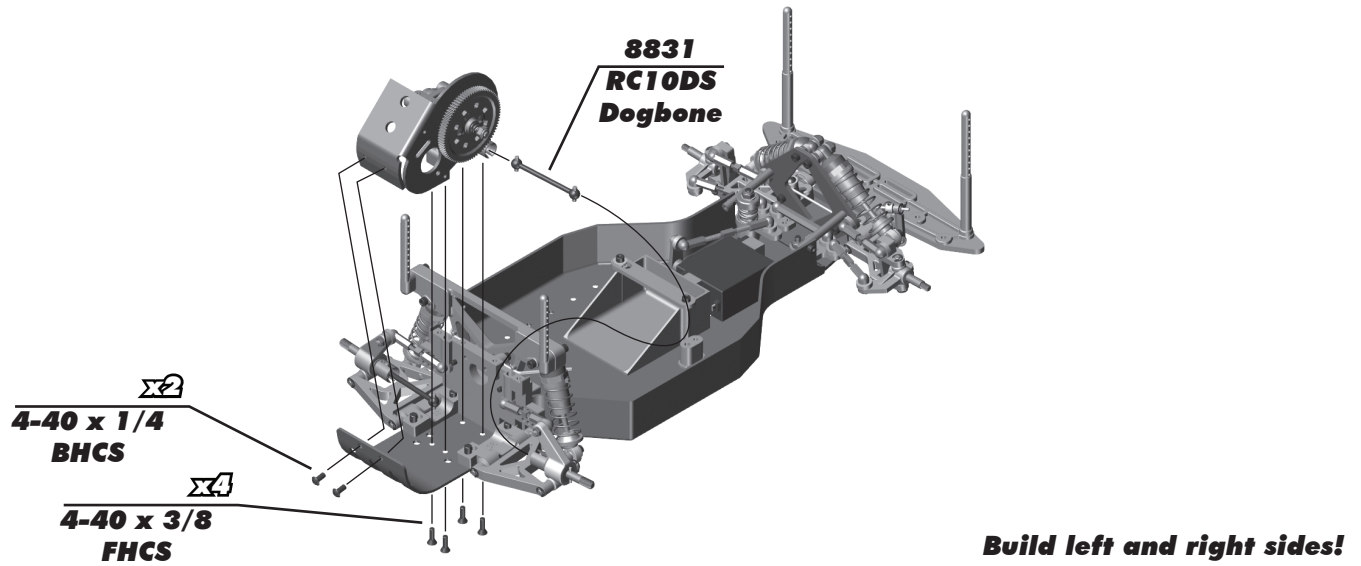
**:: Transmission Build - Bag G - Step 3**



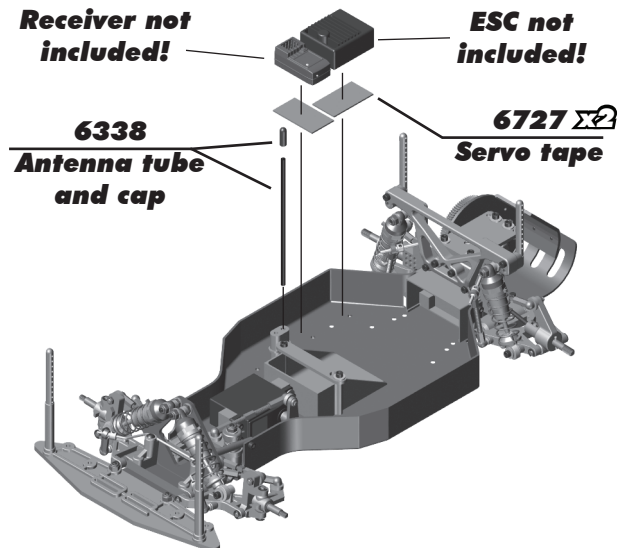
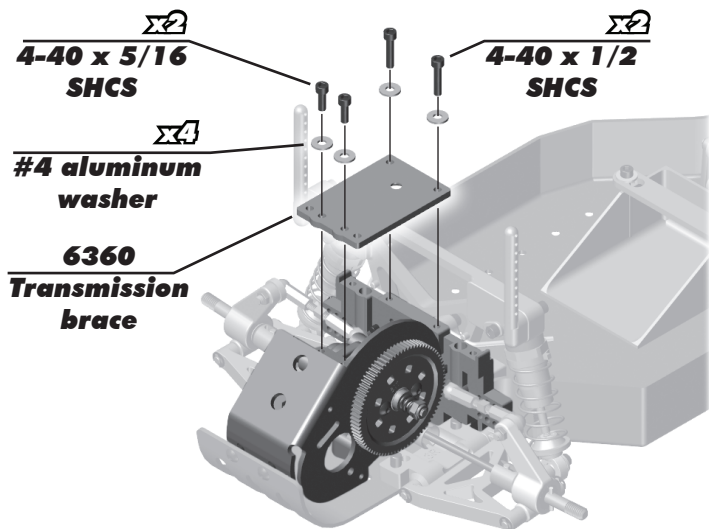
**:: Transmission Build - Bag G - Step 4**



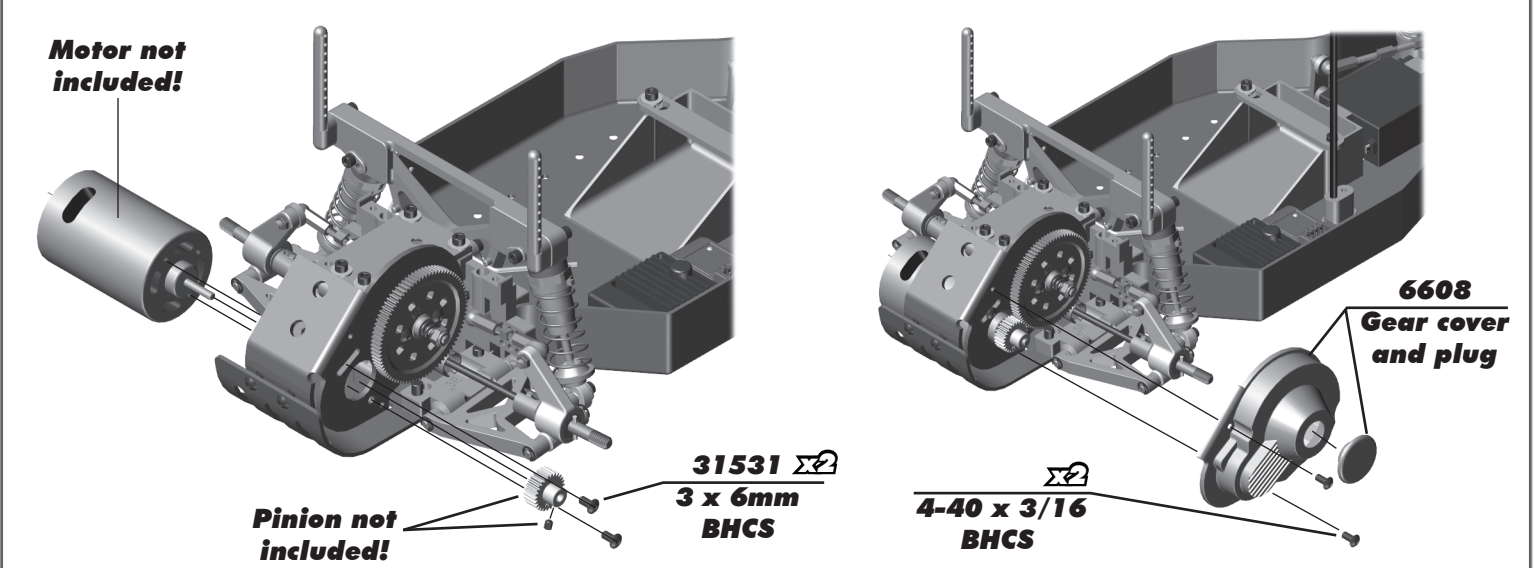
**:: Transmission Build - Bag G - Step 5**



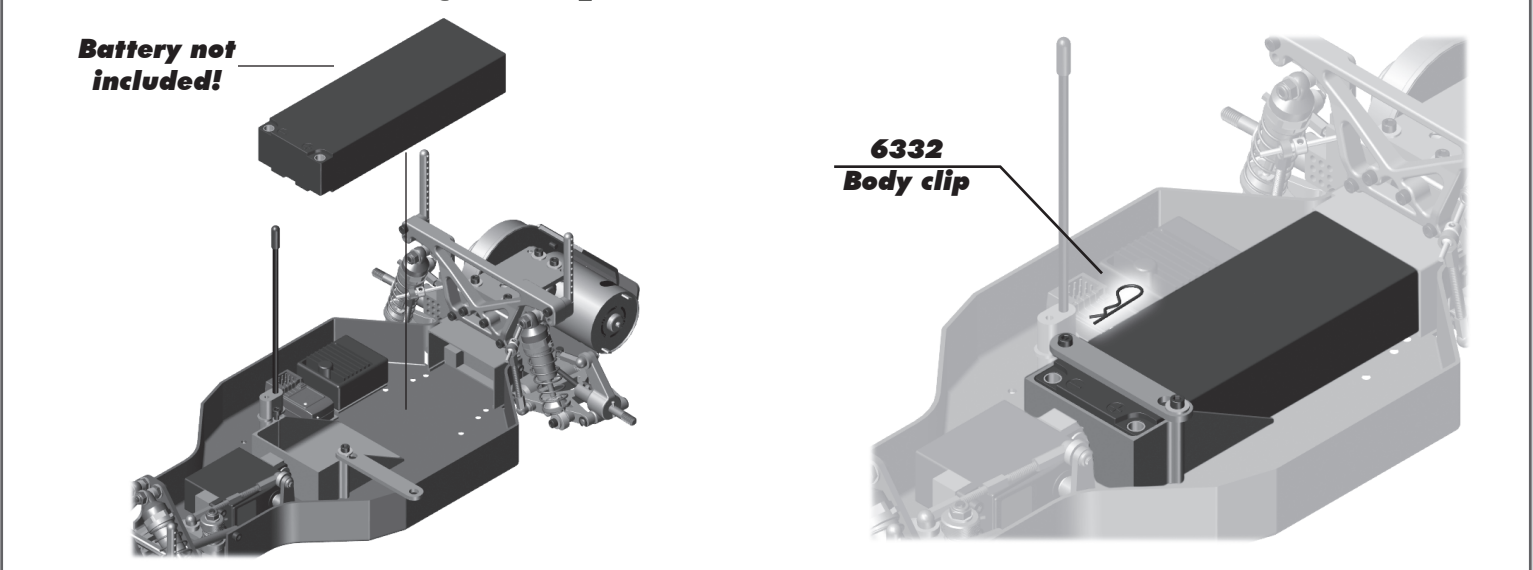
**:: Transmission Build - Bag G - Step 6**



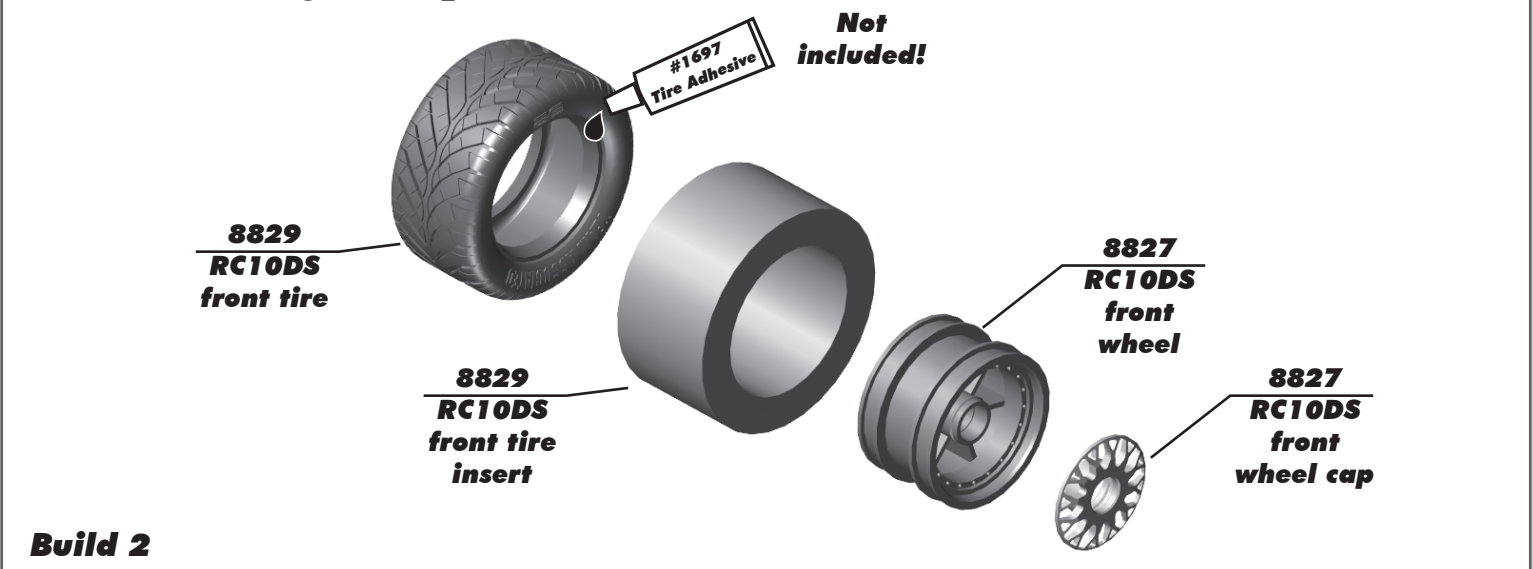
**:: Transmission Build - Bag G - Step 7**



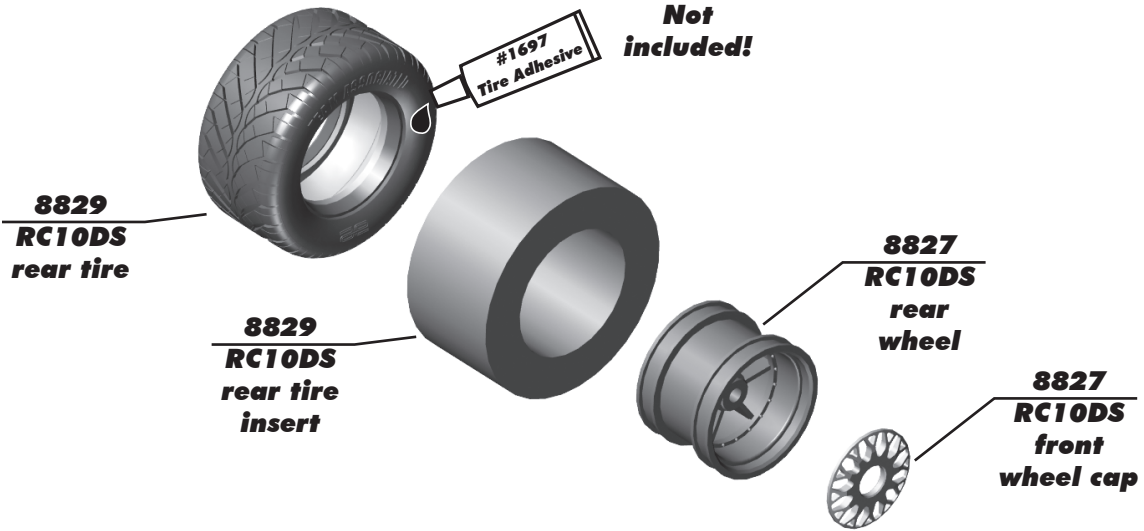
**:: Transmission Build - Bag G - Step 8**



**:: Tires Build - Bag H - Step 1**

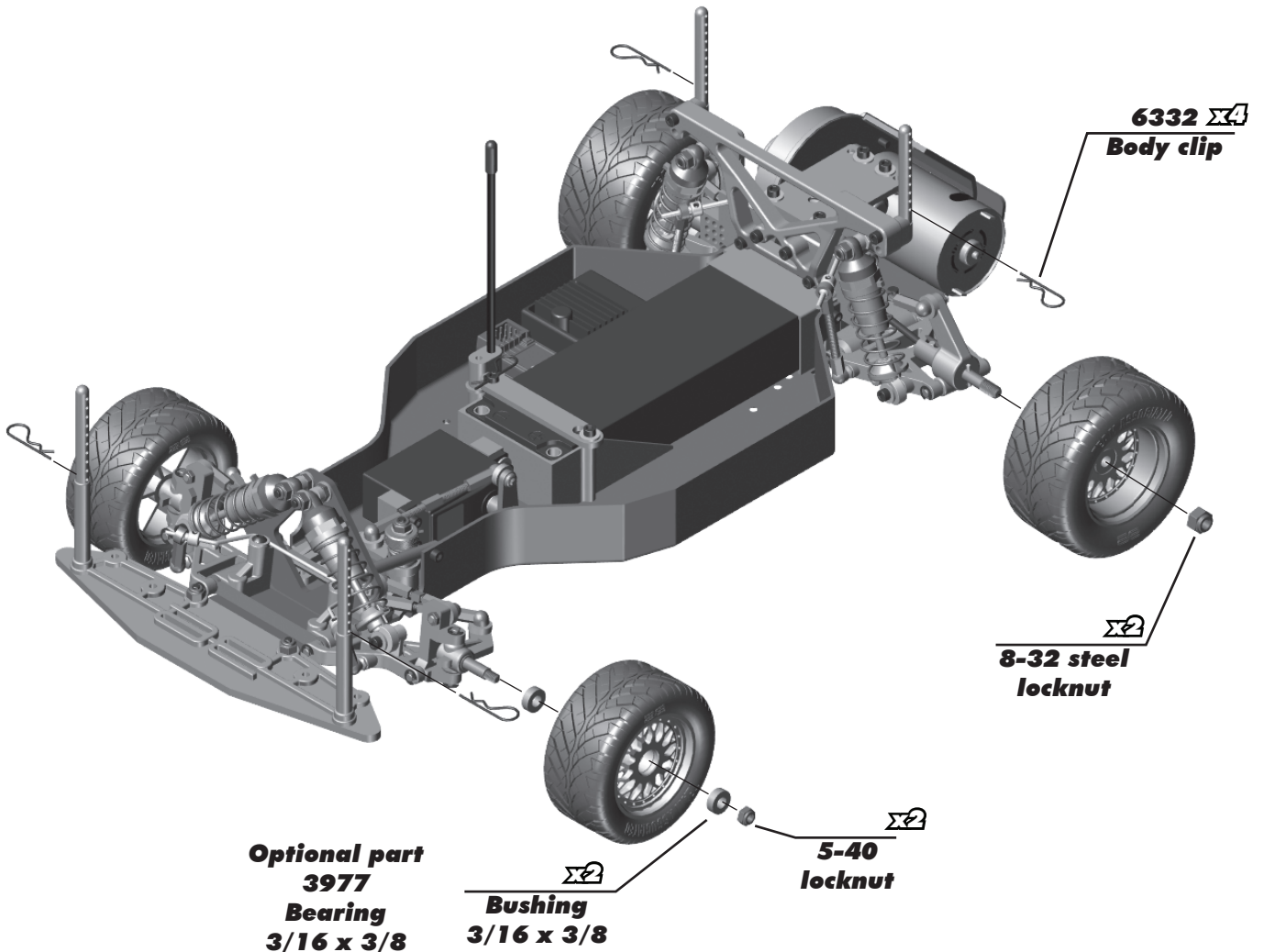


**:: Tires Build - Bag H - Step 2**



**Build 2**

**:: Tires Build - Bag H - Step 3**



**Build left and right sides!**



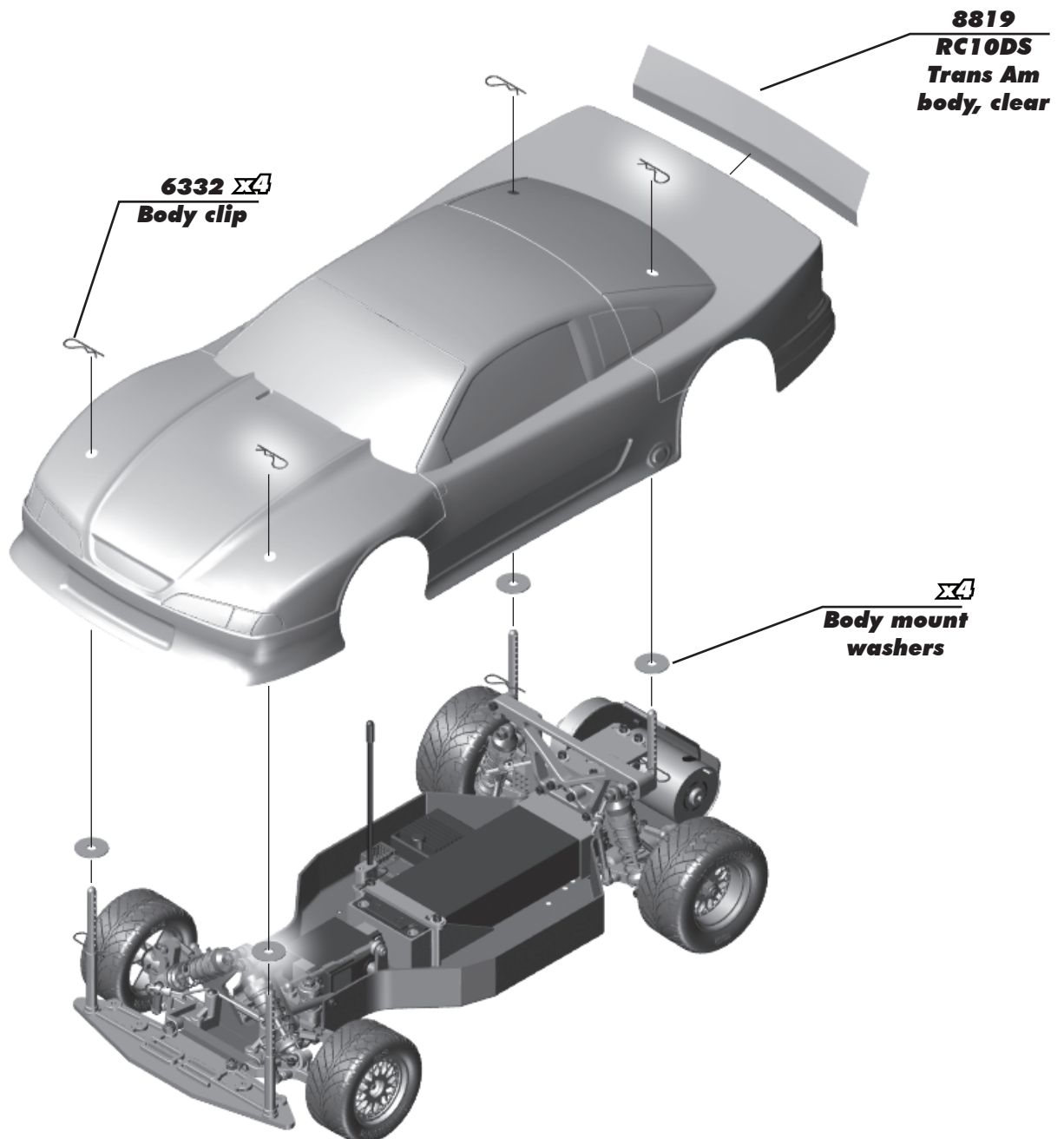
## :: Body Build - Step 1

### Painting Tips:

Your RC10DS Kit comes with a clear polycarbonate body and wing. You will need to prep the body and wing before you can paint them. Wash the inside thoroughly with warm water and liquid detergent. Dry the body and wing using a clean, soft, lint-free cloth. Use high quality masking tape to make masks for the windows and install them on the inside of the body (RC cars get painted from the inside). Using high quality masking tape, apply tape to the inside of the body to create a design. Spray (either rattle can or airbrush RC specific paint) the paint to the inside of the body (preferably dark colors first, lighter colors last).

NOTE: use ONLY paint that is recommended for use with (polycarbonate) plastics. If you do not, you can destroy the plastic body and wing!). It is recommended to wear a mask while painting.

After the paint has dried, cut the body and wing along the trim lines. Make sure to drill or use a body reamer to make the holes for the body mounts, wing mounts, and antenna!





**:: Notes**

Blank area for notes.

**:: Notes**

# FIND IT ON ASSOCIATEDELECTRICS.COM

## CARS & TRUCKS



### Vehicle Spare Parts

GO TO:

[AssociatedElectrics.com](#) →  
[Team Associated tab](#) →  
[Cars & Trucks](#) →  
[Scroll to your vehicle](#) →  
[Parts & Accessories link](#)

## SETUP SHEETS & MANUALS



### Setups and Manuals

GO TO:

[AssociatedElectrics.com](#) →  
[Team Associated tab](#) →  
[Manuals & Setups](#) →  
[Scroll to your vehicle](#)

## A-TEAM APPS



### Tuning Guides & Tips

GO TO:

[AssociatedElectrics.com](#) →  
[Support](#) →  
[A-Team Apps](#)



**Associated Electrics, Inc.**

**21062 Bake Parkway Lake Forest, CA 92630 USA**

**call: (949) 544-7500 - fax: (949) 544-7501**

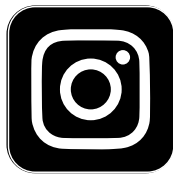
**Check out the following web sites for all of our kits, current products,  
new releases, setup help, tips, and racing info!**

**[www.AssociatedElectrics.com](http://www.AssociatedElectrics.com)**

## FOLLOW US ON SOCIAL MEDIA



**TeamAssociated**  
**ReedyPower**  
**ElementRC**  
**Factory Team**



**@TeamAssociatedRC**  
**@ReedyPower**  
**@Element\_RC**  
**@FactoryTeam\_RC**



**@Team\_Associated**  
**@ReedyPower**



**@Associated\_Electrics**