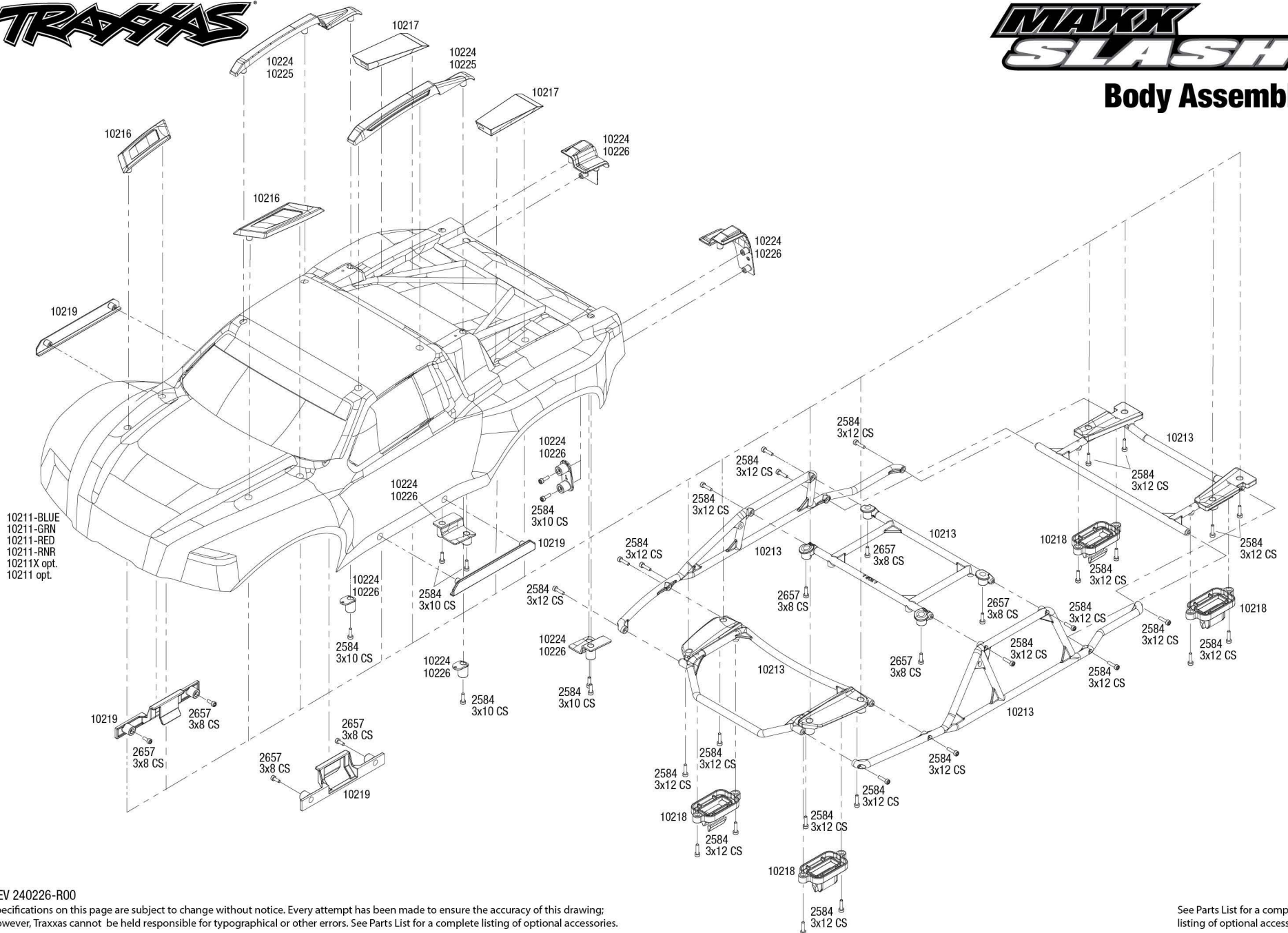
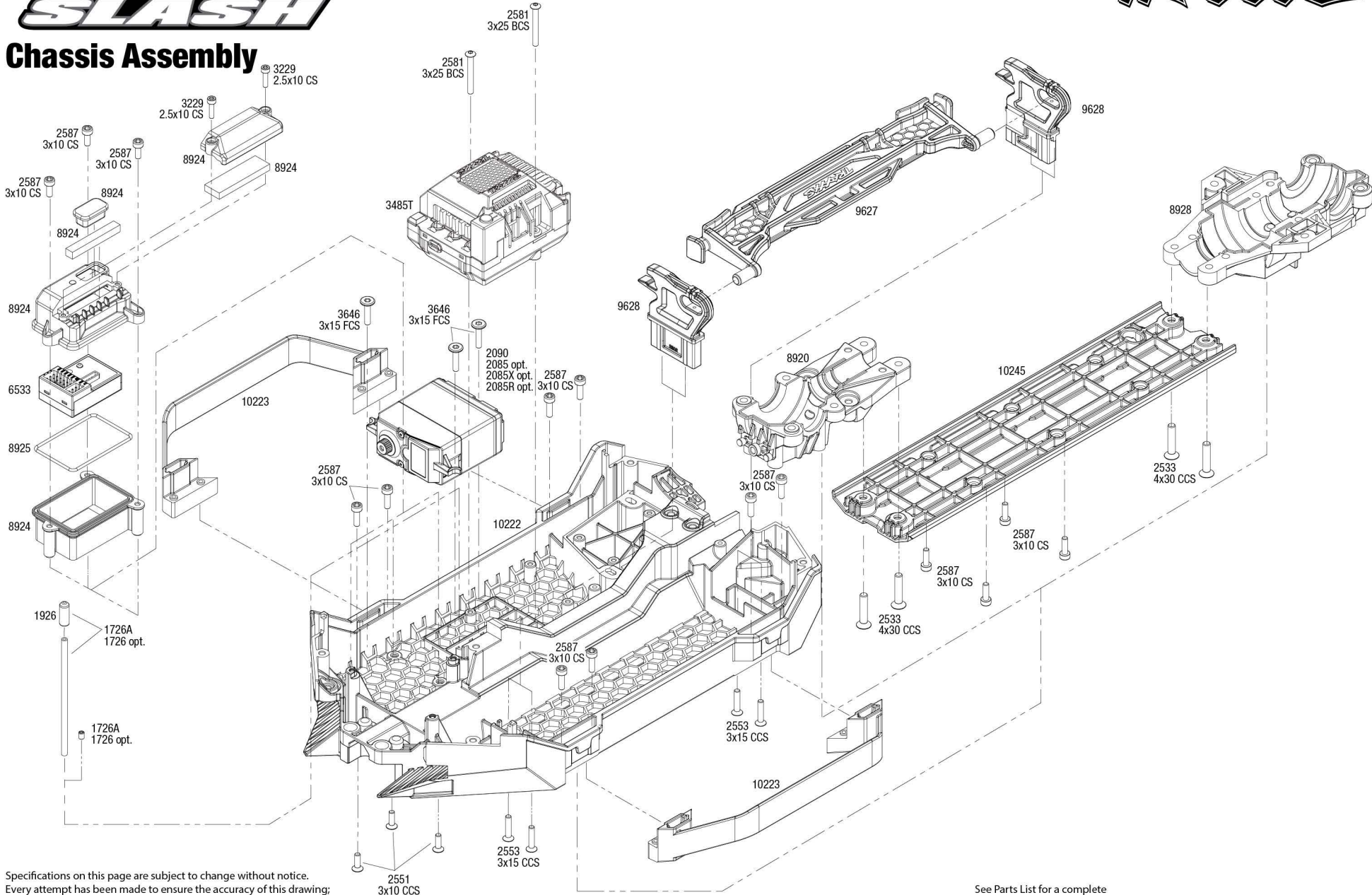


## Body Assembly



## Chassis Assembly



Specifications on this page are subject to change without notice. Every attempt has been made to ensure the accuracy of this drawing; however, Traxxas cannot be held responsible for typographical or other errors.

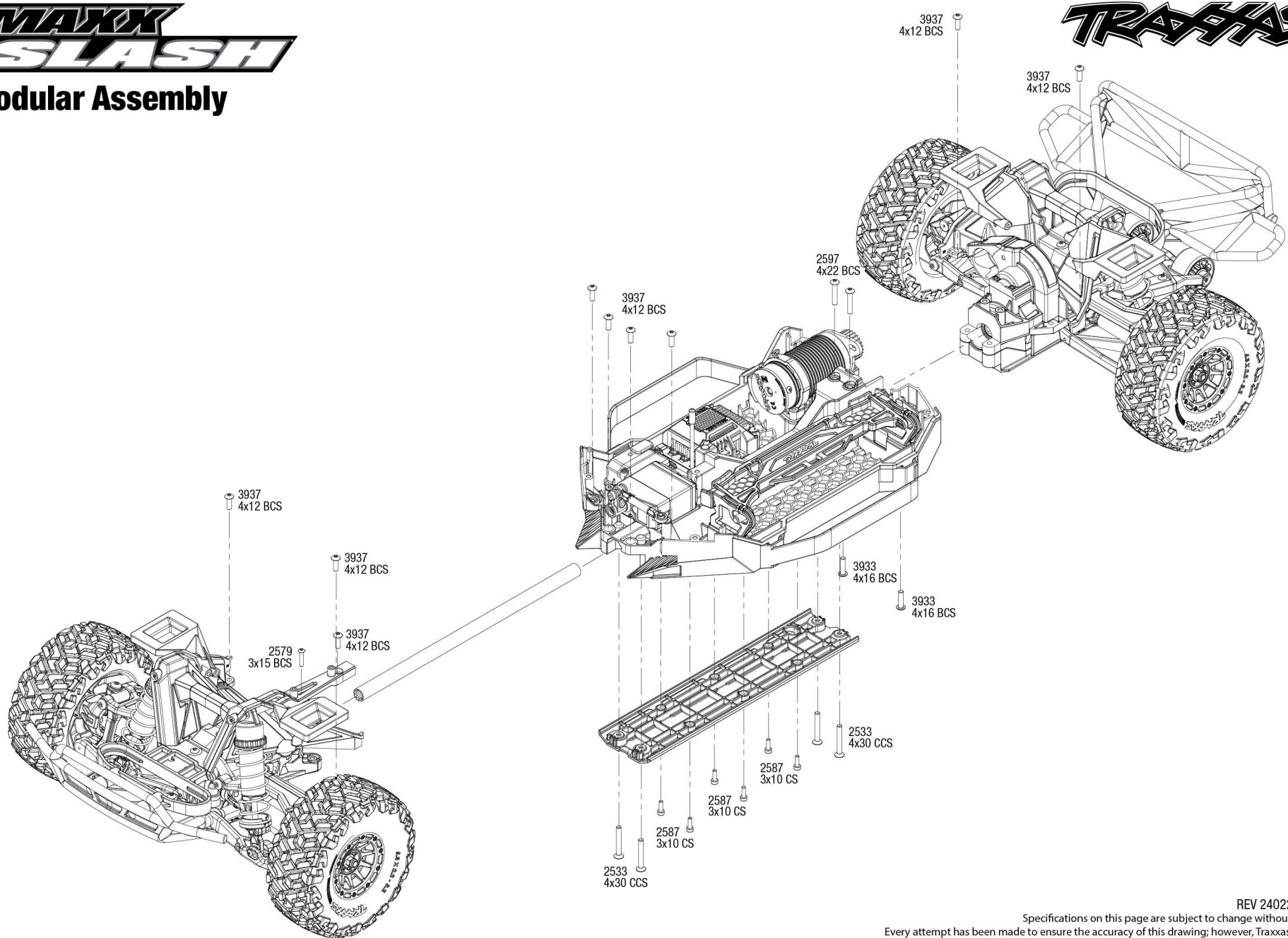
See Parts List for a complete listing of optional accessories.



# MAXX SLASH

## Modular Assembly

# TRAXXAS



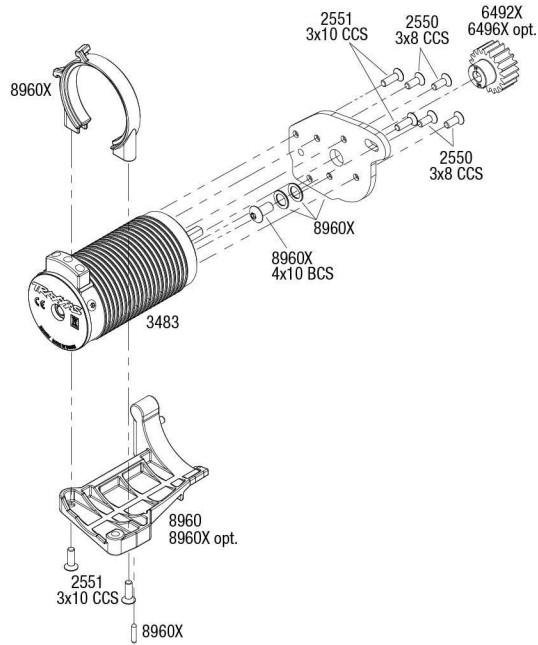
REV 240226-R00

Specifications on this page are subject to change without notice. Every attempt has been made to ensure the accuracy of this drawing; however, Traxxas cannot be held responsible for typographical or other errors. See Parts List for a complete listing of optional accessories.



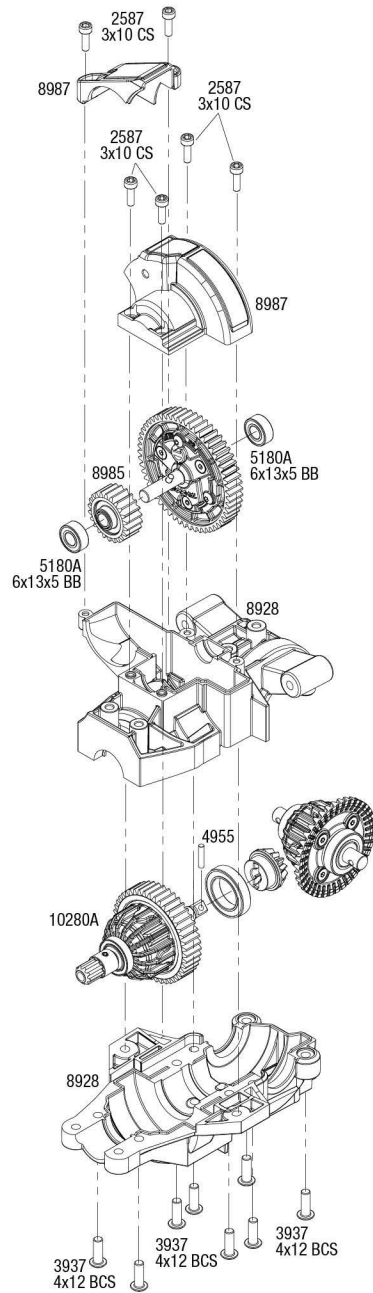
# MAXX SLASH

## Transmission Assembly



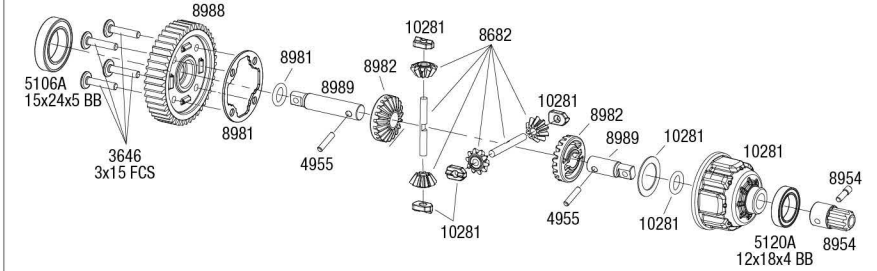
See Parts List for a complete listing of optional accessories.

REV 240226-R00

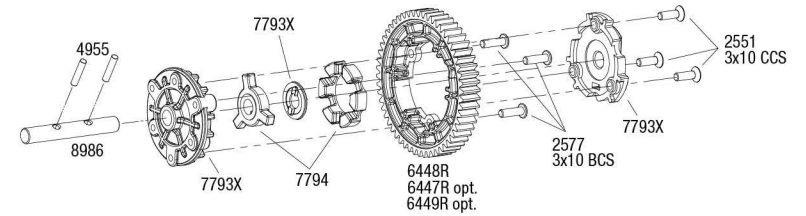


### Center Differential Assembly

Available fully assembled as part #10280A  
Accessory Center Differential Assembly also available as part #10280X

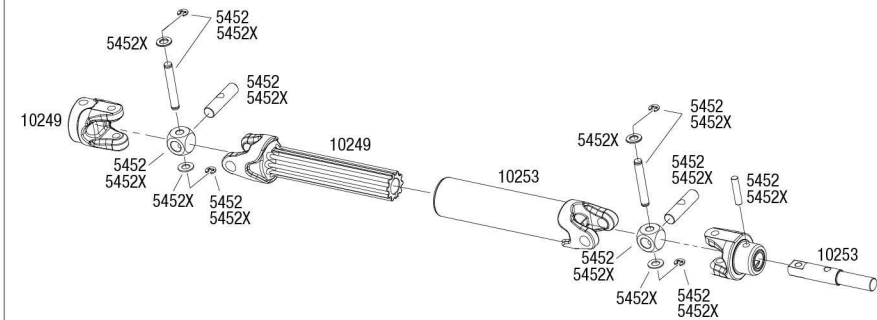


### Cush Drive Assembly



### Front & Rear Driveshaft Assembly

Available fully assembled as part #10250



Specifications on this page are subject to change without notice. Every attempt has been made to ensure the accuracy of this drawing; however, Traxxas cannot be held responsible for typographical or other errors.