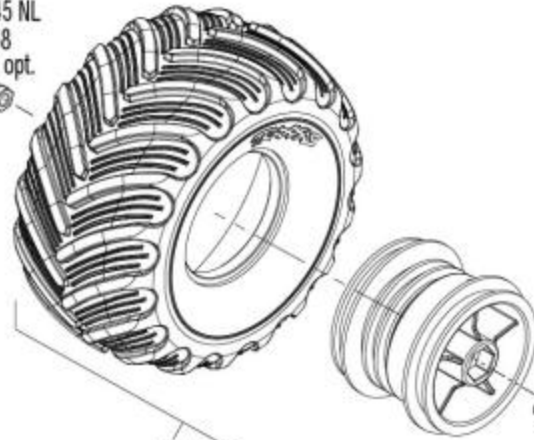


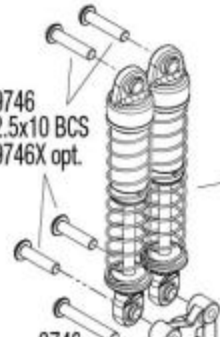
TRAXXAS

9746
2.5x0.45 NL
5158
9746X opt.



9867

9746
2.5x10 BCS
9746X opt.



9764
9764-BLUE opt.
9764-GRAY opt.
9764-GRN opt.
9764-ORNG opt.
9764-RED opt.

9746
2.5x10 BCS
9746X opt.



9746
2.5x16 BCS
9746X opt.

9745
3.5x7x2.5 SLB
9745X opt.

9750
9750A opt.
9750X opt.

9746
2x4 BCS
9746X opt.

9750
9750A opt.
9750X opt.

9730
9730X opt.
9756 opt.

9741
9744

9746
2.5x16 BCS
9746X opt.

9745
4x8x3 SLB
9745X opt.

9746
2.5x18 BCS
9777
9779 opt.

9738
9738-BLKCR opt.
9738-BLUE opt.
9738-GRAY opt.
9738-RED opt.
9738-SATIN opt.

9746
2.5x14 BCS
9746X opt.

9842

9746
2.5x14 BCS
9746X opt.

9746
1.6x7 BCS (self-tapping)
9746X opt.

9746
2.5x14 BCS
9746X opt.

7028
7028X opt.

9855

9746
1.6x7 BCS (self-tapping)
9746X opt.

9746
2.5x14 BCS
9746X opt.

9745
4x8x3 SLB
9745X opt.

9746
1.6x12 BCS (self-tapping)
9746X opt.

9730
9730X opt.
9756 opt.

9750
9750A opt.
9750X opt.

9746
2x4 BCS
9746X opt.

9745
3.5x7x2.5 SLB
9745X opt.

9750
9750A opt.
9750X opt.

9746
2.5x14 BCS
9746X opt.

9855

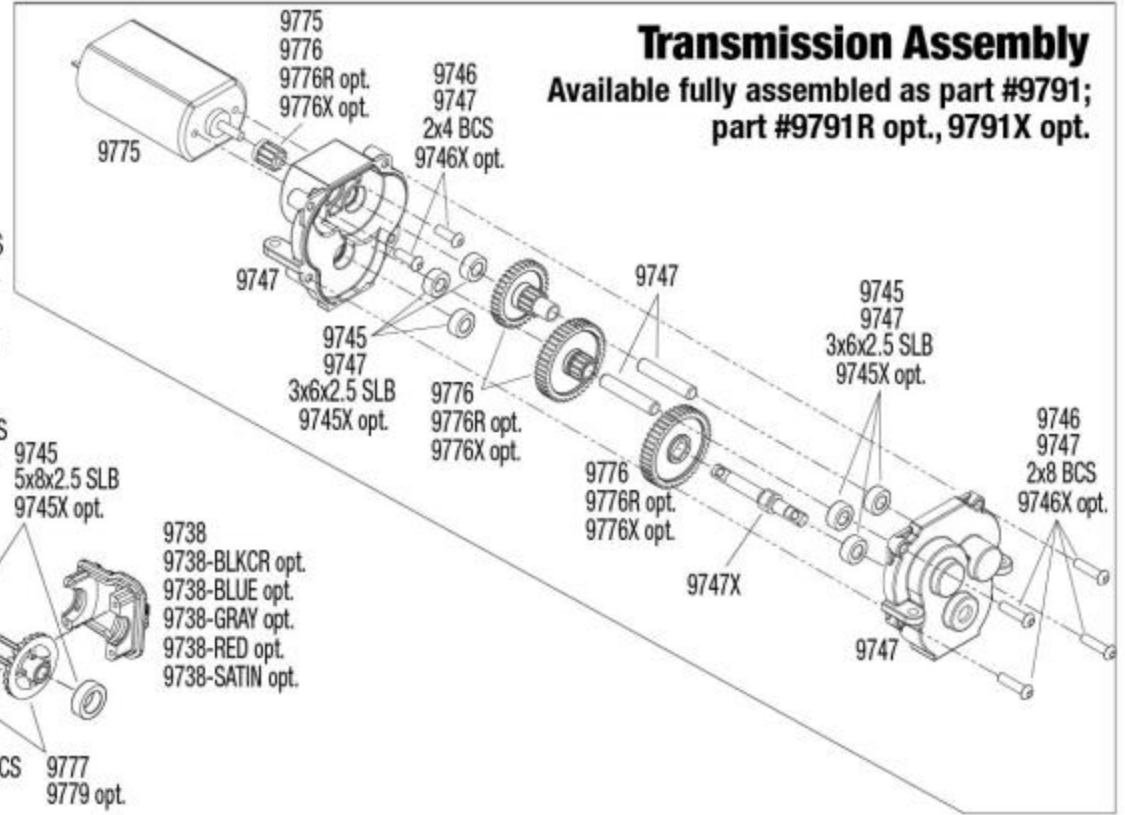
9754

9746
2.5x14 BCS
9746X opt.

REV 240304-R00

See Parts List for a complete listing of optional accessories.

Specifications on this page are subject to change without notice. Every attempt has been made to ensure the accuracy of this drawing; however, Traxxas cannot be held responsible for typographical or other errors.



Transmission Assembly
Available fully assembled as part #9791;
part #9791R opt., 9791X opt.

9775
9776
9776R opt.
9776X opt.

9746
9747
2x4 BCS
9746X opt.

9745
9747
3x6x2.5 SLB
9745X opt.

9776
9776R opt.
9776X opt.

9745
9747
3x6x2.5 SLB
9745X opt.

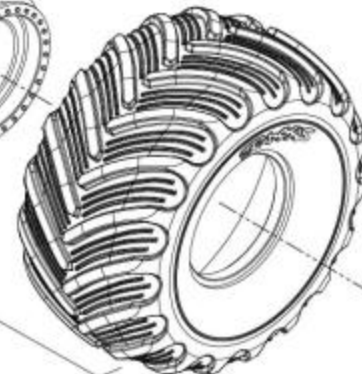
9746
9747
2x8 BCS
9746X opt.

9738
9738-BLKCR opt.
9738-BLUE opt.
9738-GRAY opt.
9738-RED opt.
9738-SATIN opt.

TRX4MT

Rear Assembly

9867



9746
2.5x0.45 NL
5158
9746X opt.